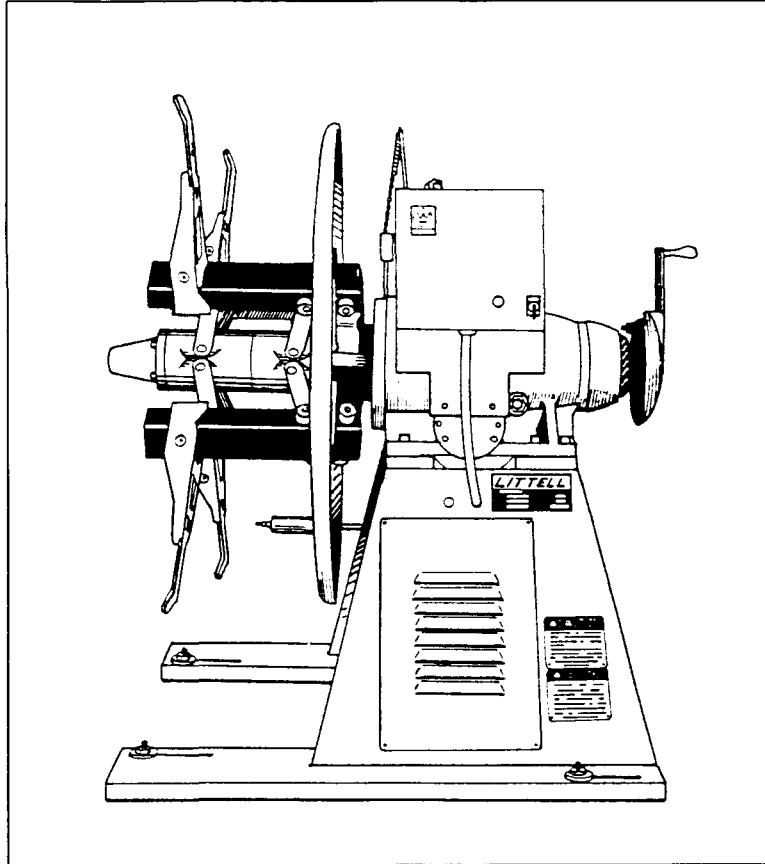


NO. 6000 ADVANTAGE SERIES - 4 ARM, MOTOR DRIVEN, SINGLE AUTOMATIC CENTERING REEL WITH BACK PLATE

SERVICE BULLETIN
NUMBER SD-203



CONTENTS

CAPACITIES	2
SPINDLE ASSEMBLY	3
SPINDLE ASSEMBLY PARTS LIST	4
MOTOR DRIVE AND BASE ASSEMBLY	5
MOTOR DRIVE AND BASE ASSEMBLY	6
PARTS LIST	

LITTELL INTERNATIONAL, INC.

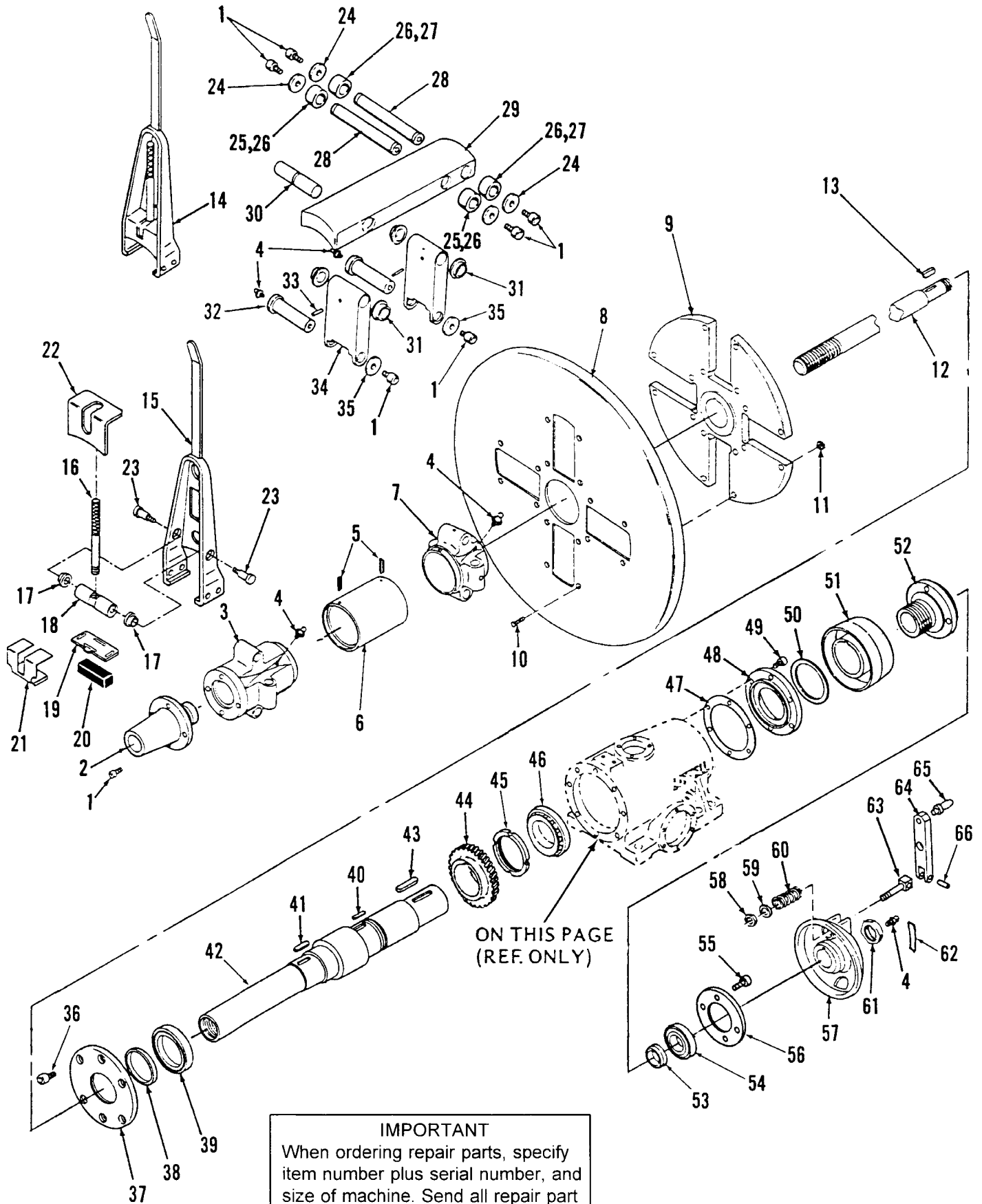
145 SWIFT ROAD, ADDISON, ILLINOIS 60101-1407, U.S.A.
AREA CODE: (708) 916-6662 LITTELL TELEFAX: (708) 916-6663
SERVICE DEPARTMENT TELEFAX: (708) 916-6664

**NO. 6000 ADV. SERIES MOT. DR. SINGLE A.C. REEL
CAPACITIES**

CAPACITIES:

SIZE OF ADVANTAGE SERIES REEL	6000 - 12"	6000 - 18"	6000 - 24"
MAX WIDTH	12"	18"	24"
MAX WEIGHT OF COIL ON EACH SIDE	6,000 POUNDS		
INSIDE DIAMETER OF 4 - ARM REEL	15" - 20" OR 19" - 24"		
MAX OUTSIDE DIAMETER	60"		

NO. 6000 ADV. SERIES MOT. DR. SINGLE A.C. REEL
SPINDLE ASSEMBLY



ON THIS PAGE
(REF. ONLY)

IMPORTANT
When ordering repair parts, specify item number plus serial number, and size of machine. Send all repair part orders to the Addison factory. Area code: (708) 916-6662, Repair Dep't.

**NO. 6000 ADV. SERIES MOT. DR. SINGLE A.C. REEL
SPINDLE ASSEMBLY PARTS LIST**

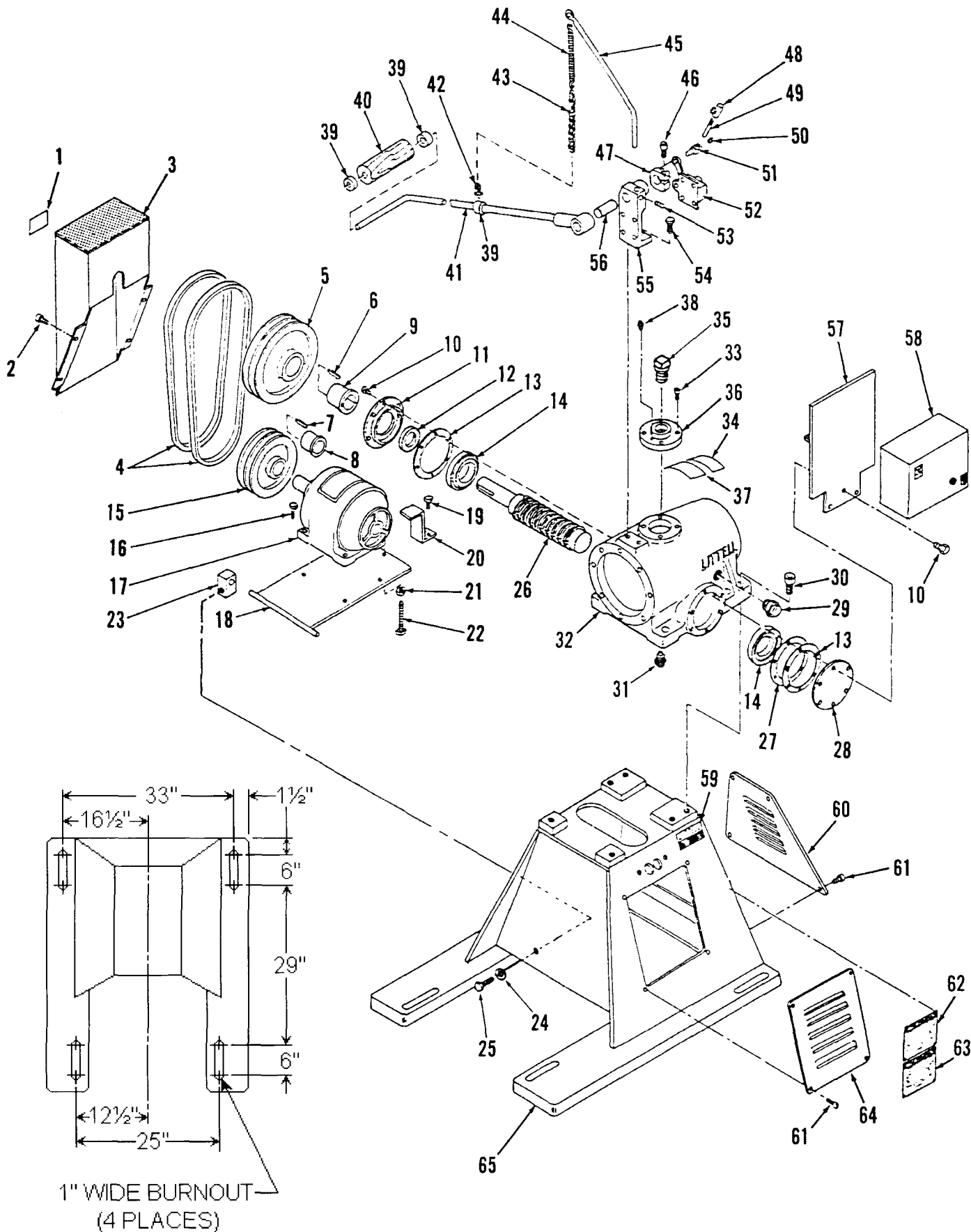
ITEM NO.	DESCRIPTION	ITEM NO.	DESCRIPTION
1.	Screw, Cap, Socket Hd. 3/8 - 16 x 1" Lg.	34.	Link **
2.	Nut, Adjusting Screw	35.	Spacer, Steel
3.	Sleeve, Front, 4 Arm	36.	Screw, Cap, Socket Hd. 1/2 - 13 x 1" Lg.
4.	Fitting, Grease 1/8 NPT	37.	Retainer, Bearing, Front
5.	Pin, Roll	38.	Seal, Oil
6.	Tube, Spacer ***	39.	Bearing, Roller
7.	Sleeve, Rear, 4 Arm	40.	Key, Worm Gear
8.	Plate, Guide, 4 Arm, No. 40 (46 In. Dia.)	41.	Key, Disc Hub
9.	Hub, Disc, 4 Arm	42.	Shaft, Spindle ***
10.	Screw, Machine, Fl. Hd. 3/8 - 16 x 1 3/4" Lg.	43.	Key, Spacer
11.	Nut, Flex-Lock 3/8 - 16	44.	Gear, Worm
12.	Screw, Adjusting ***	45.	Nut, Lock
13.	Key, Woodruff #15	46.	Bearing, Roller
14.	Assembly, Keeper, Adjustable Type	47.	Shim Set *
15.	Frame, Keeper	48.	Retainer, Bearing, Rear
16.	Handle, Cam, Keeper	49.	Screw, Cap, Socket Hd. 3/8 - 16 x 1 1/4" Lg.
17.	Bushing, Flange, Pivot, Keeper	50.	Seal, Oil
18.	Cam, Eccentric	51.	Spacer
19.	Plate, Pressure, Keeper	52.	Retainer, Bearing Adjust. Screw
20.	Pad, Rubber	53.	Bearing, Thrust
21.	Shoe, Clamp, Front Keeper	54.	Bearing, Ball
22.	Plate, Cover, Keeper	55.	Screw, Cap, Socket Hd. 3/8 - 16 x 1 3/4" Lg.
23.	Screw, "DANLY" Shoulder 3/8 - 16 x .500" Dia. x 1.00" Lg.	56.	Plate, Retainer
24.	Washer, Roller	57.	Handwheel
25.	Roller, Arm, Beveled	58.	Nut, Self-Locking
26.	Bushing	59.	Washer, Flat 1/2" I.D.
27.	Roller, Arm	60.	Spring
28.	Pin, Roller	61.	Nut, Jam 1-14
29.	Arm, Reel ***	62.	Plate, Name, Lube, Handwheel
30.	Pin, Link	63.	Pin, Handle Spring
31.	Bushing, Arm	64.	Bar, Handle
32.	Pin, Link, Lower	65.	Handle
33.	Pin, Roll	66.	Pin, Roll

* This item is furnished as a set of matched parts.

** Specify I.D. Required.

*** Specify whether for 12", 18" or 24" wide reel.

NO. 6000 ADV. SERIES MOT. DR. SINGLE A.C. REEL
MOTOR DRIVE AND BASE ASSEMBLY



**NO. 6000 ADV. SERIES MOT. DR. SINGLE A.C. REEL
MOTOR DRIVE AND BASE ASSEMBLY PARTS LIST**

ITEM NO.	DESCRIPTION	ITEM NO.	DESCRIPTION
1.	Plate, Warning	34.	Plate, Name, 8 Points Lube Sleeve and Pivot Pins
2.	Screw, Machine, Rd. Hd. 1/4 - 20 x 3/8" Lg.	35.	Eyebolt
3.	Guard, Belt	36.	Cover, Gear Retainer
4.	Belt, V-Type	37.	Plate, Name, Oil for Worm and Gear Housing
5.	Sheave, Driven	38.	Breather, "SCOVILL" Vent
6.	Key, Feather Worm Gear	39.	Collar
7.	Key 3/16 Sq. x 1 3/4" Lg.	40.	Roller, Wood
8.	Bushing, Split Taper .875"	41.	Arm, Control
9.	Bushing, Split Taper 1.500"	42.	Eyebolt
10.	Screw, Machine, Rd. Hd. 3/8 - 16 x 1" Lg.	43.	Chain
11.	Cap, Retaining, Oil Seal	44.	Spring
12.	Seal, Oil	45.	Rod, Spring
13.	Gasket	46.	Screw, Cap, Socket Hd. 1/4 - 28 x 1 1/4" Lg.
14.	Bearing	47.	Lever, Switch
15.	Sheave	48.	Rod End
16.	Bolt, Hex. Hd. 5/8 - 11 x 1 1/2" Lg.	49.	Link, Switch
17.	Motor, 2 HP, No. 40	50.	Setscrew 3/8 - 24 x 3/8" Lg.
18.	Platform, Motor	51.	Pivot Block
19.	Bolt, Hex. Hd. 3/8 - 16 x 1/2" Lg.	52.	Switch, Limit
20.	Bracket, Hold Down, Plate	53.	Cap, Oiler
21.	Nut, Jam 5/8 - 11	54.	Bolt, Hex. Hd. 3/8 - 16 x 1" Lg.
22.	Screw, Sq. Hd. 5/8 - 11 x 3 1/4" Lg.	55.	Bracket Switch
23.	Bracket, Pivot	56.	Pin, Control Arm
24.	Washer, Lock, 1/2"	57.	Bracket, Control Panel
25.	Bolt, Hex. Hd. 1/2 - 20 x 1 3/4" Lg.	58.	Magnetic Starter, "WESTINGHOUSE"
26.	Shaft, Worm	59.	Nameplate, Reel and Coil Capacity
27.	Shim	60.	Plate, Cover, Tapered, Louvered
28.	Plate, Housing Cover	61.	Screw, Machine, Rd. Hd. 1/4 - 20 x 1/2" Lg.
29.	Gage, Oil Level	62.	Plate, Caution Instruction
30.	Screw, Cap, Socket Hd. 5/8 - 11 x 2" Lg.	63.	Plate, Caution Safety
31.	Plug, Magnetic	64.	Plate, Cover, Louver
32.	Gear Case	65.	Base
33.	Screw, Cap, Socket Hd. 3/8 - 16 x 1 1/4" Lg.		