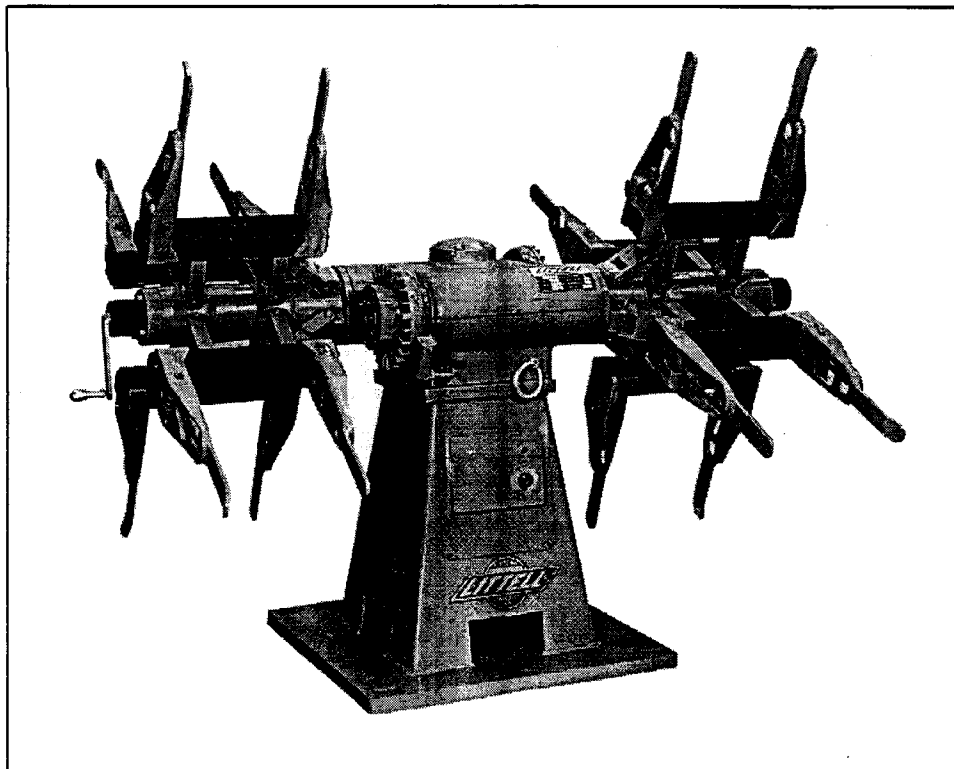
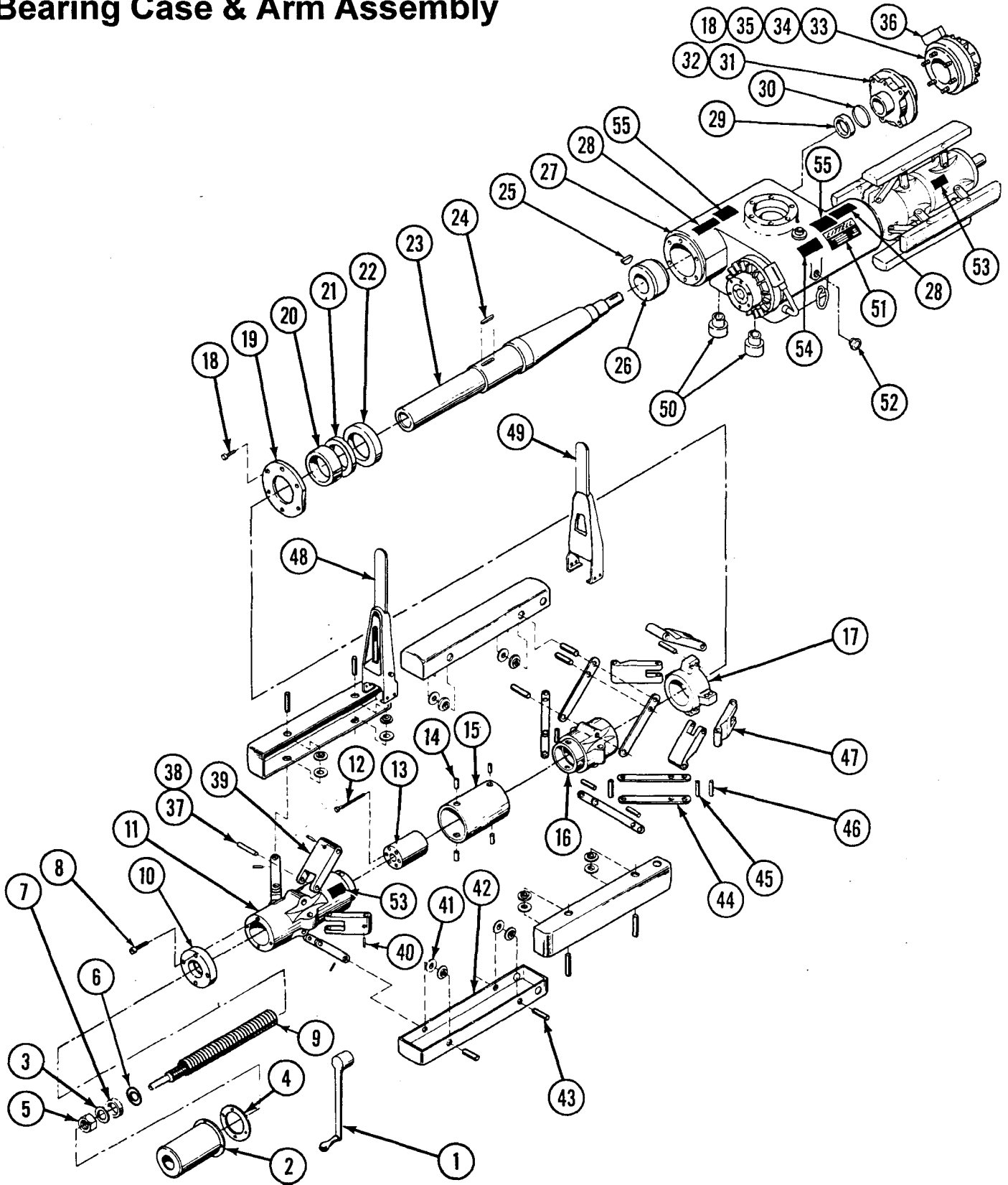
**No. 20 Double Reel: Automatic Centering****SERVICE BULLETIN
NUMBER SD-152**

The following pages contain Exploded Views,
Item Lists and Wiring Diagram.

Index	Page
Exploded View, Bearing Case & Arm Assembly	2
Item List, Bearing Case & Arm Assembly	3
Exploded View, Base Assembly	4
Item List, Base Assembly	5
Wiring Diagram	6

LITTELL INTERNATIONAL, INC.
145 SWIFT ROAD, ADDISON, ILLINOIS 60101-1407, U.S.A.
AREA CODE: (630) 916-6662 LITTELL TELEFAX: (630) 916-6663
SERVICE DEPARTMENT TELEFAX: (630) 916-6664

No. 20 Double Reel: Automatic Centering - Bearing Case & Arm Assembly



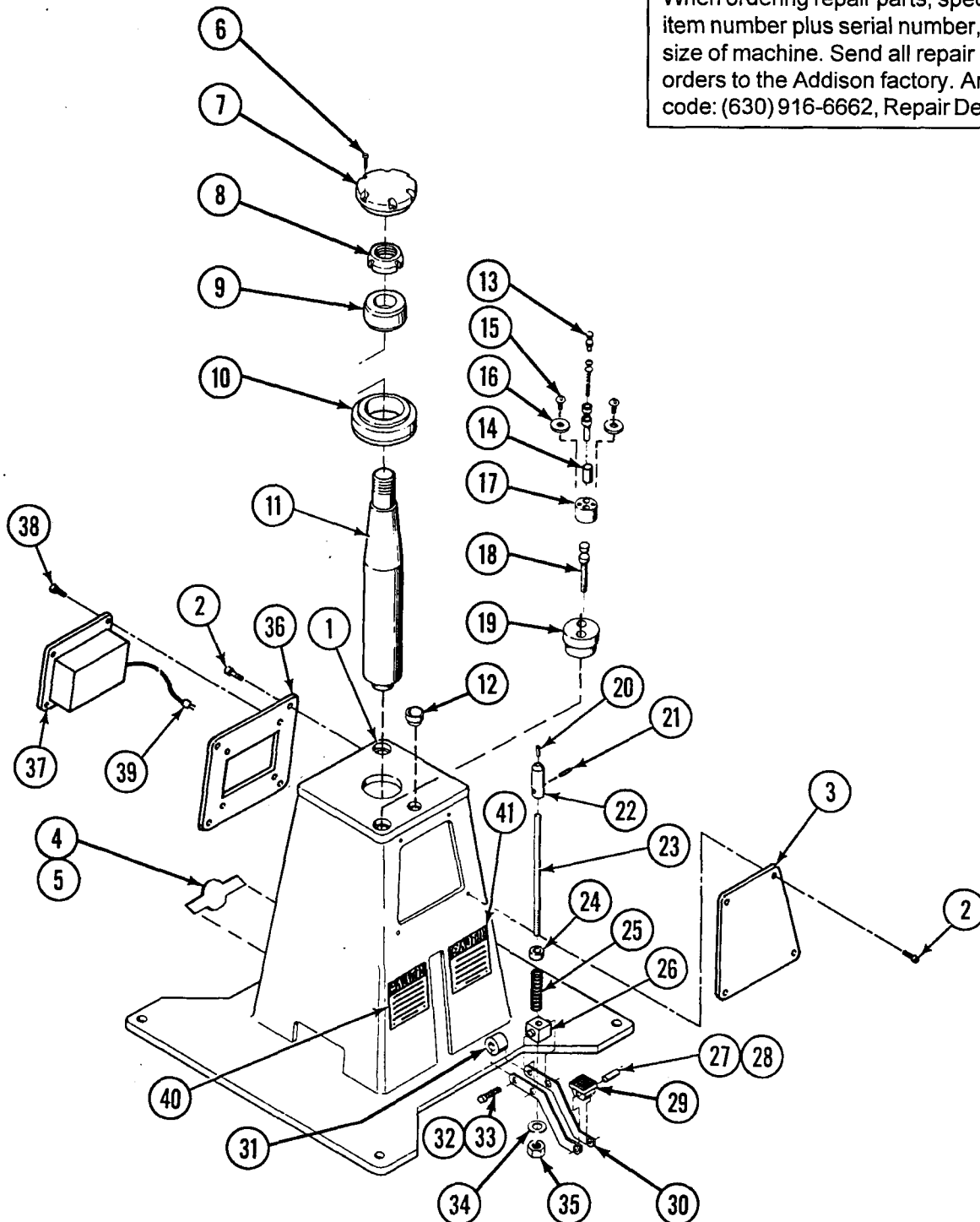
No. 20 Double Reel: Automatic Centering - Bearing Case & Arm Assembly Item List

ITEM NO.	DESCRIPTION	ITEM NO.	DESCRIPTION
1.	Wrench	31.	Shim Set ("TIMKEN" #19-.056" Th'k)
2.	Guard-Expansion Shaft	32.	Retainer-Rear Bearing
3.	Washer	33.	Brake-Electric ("WARNER ELECTRIC") Tension Brake #TB-1000)
4.	Plate-Retainer	34.	Pin-Drive
5.	Nut-Hex-Finished Jam (1"-14 R.H. Thread)	35.	Ring-Retaining ("WALDES" Tru-Arc #5100-62)
6.	Washer-Bearing Thrust	36.	Box-Conduit ("WARNER ELECTRIC")
7.	Bearing-Ball ("FAFNIR" #5206W)	37.	Pin-Link (Lower)
8.	Screws (Soc. Hd. 3/8"-16 x 2" Lg.)	38.	Ring-Retaining ("WALDES" Tru-Arc #5100-75)
9.	Screw-Adjusting Screw	39.	Link-6.38" Centers-Std.
10.	Retainer-Bearing-Adjusting Screw	40.	Pin-Roll ("ESNA" #59-048-250-1500)
11.	Sleeve-Front-Spindle 4 Arm	41.	Bushing-Arm
12.	Screws (Soc. Hd. Cap 3/8"-16 Th'd x 3 1/2" Lg.)	42.	Arm-Reel
13.	Nut-Adjusting Screw	43.	Pin-Link
14.	Pin-Roll ("ESNA" #59-062-312-750)	44.	Link-6.38" Centers-Special
15.	Tube-Spacer	45.	Pin-Link (Center)
16.	Sleeve-Rear-Spindle 4 Arm	46.	Pin-Link (Upper)
17.	Shoulder-Spindle	47.	Link
18.	Screws (Hol. Hd. Cap 1/2"-13 x 1" Lg.)	48.	Extension-Front Keeper
19.	Retainer-Front Bearing	49.	Extension-Rear Keeper
20.	Sleeve-Oil Seal	50.	Bushing-Bearing Case
21.	Seal-Oil ("C.R." #42455)	51.	Plate-Name-Coil Capacity
22.	Bearing-Roller ("TIMKEN" #594-592A)	52.	Gauge-Oil ("GITS" #4054 Style BW1")
23.	Shaft-Spindle	53.	Plate-Name-Lub. Spindle
24.	Key-Feather (.875" x .875" x 4.00" Lg.)	54.	Plate-Name-Oil Capacity
25.	Key-"G" Woodruff	55.	Plate-Name-Ring Lifting-Warning
26.	Bearing-Roller ("TIMKEN" #623-612)	56.	Plate-Name
27.	Case-Bearing		
28.	Plate-Caution-Rotate Head Ass'y		
29.	Seal-Oil ("C.R." #20022)		
30.	O-Ring ("PARKER" #2-154 Compound #N-183-9)		

No. 20 Double Reel: Automatic Centering - Base Assembly

IMPORTANT

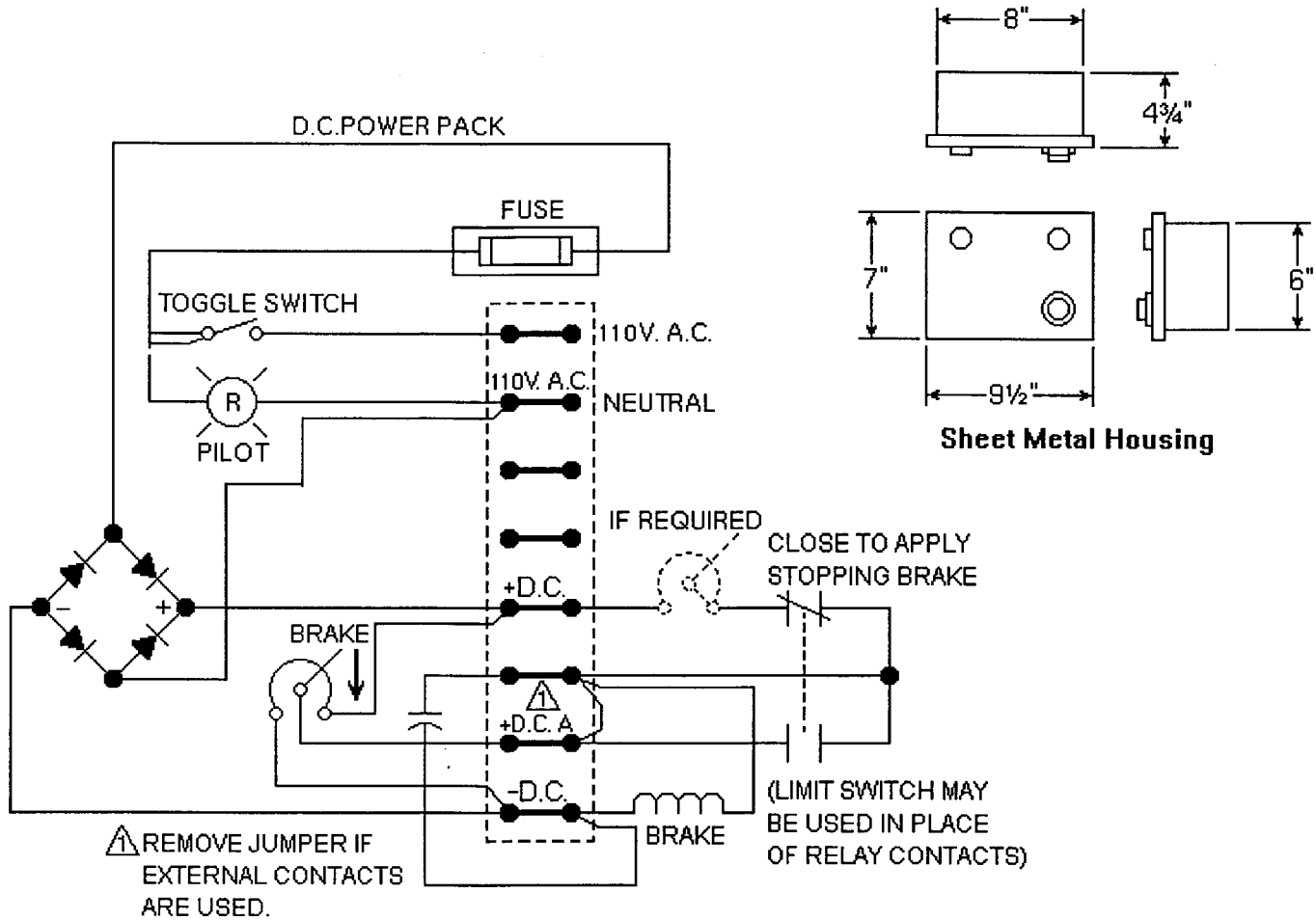
When ordering repair parts, specify item number plus serial number, and size of machine. Send all repair part orders to the Addison factory. Area code: (630) 916-6662, Repair Dep't.



No. 20 Double Reel: Automatic Centering - Base Assembly Item List

ITEM NO.	DESCRIPTION	ITEM NO.	DESCRIPTION
1.	Base	20.	Plug-Nylon ("MFGRS.STD." 3/8" Dia. x 1-1/16" Lg.)
2.	Screws (Soc. Hd. Cap 1/4"-20 Th'd x 1/2" Lg.)	21.	Pin ("ESNA" #59-048-250-1250)
3.	Plate-Cover-Tapered	22.	End-Lock Rod
4.	Plate-Name	23.	Rod-Lock
5.	Screws-Flat Hd.-Self Tapping (1/4" x 3/4")	24.	Collar-Steel ("HALLOWELL" 3/4" I.D. x 1 1/4" O.D. x 9/16" Wide)
6.	Screws-Cap-Hollow Hd. (1/2"-13 x 1" Lg.)	25.	Spring-Med. Pressure ("DANLY" #9-2418-11)
7.	Cap-Bearing Case	26.	Trunnion-Foot Lever
8.	Nut-Lock-Bearing	27.	Screw-Machine-Hex. Hd. (3/8"-16 x 3/4" Lg.)
9.	Bearing-Roller ("TIMKEN" #623-612)	28.	Washer-Lock (3/8" I.D.)
10.	Bearing-Roller ("TIMKEN" #71540-71750)	29.	Block-Foot-Lever
11.	Post-Bearing Case	30.	Lever-Foot
12.	Bushing-Reel Base	31.	Roller-Foot Lever
13.	Brush Holder Assembly ("WARNER ELECTRIC") (1) #529002 Holder Barrel (1) #6800006 Tapped Brass Cap (1) #7970031 Pan Hd. Screw	32.	Bolt (1/2"-13 x 2 1/2" Lg.)
14.	Brush-Metal/Graphite ("HELWIG" Grade 688 .25 x .375 x .75 Lg. Style UQ-1 Bevel 0°)	33.	Nut-Stop-Elastic
15.	Screws (Slotted Hd. 1/4"-20 x 3/8" Lg.)	34.	Washer (3/4" I.D.)
16.	Washer-Insulating (9/32" I.D. x 3/4" O.D. x 1/16" Th'k)	35.	Nut-Stop-Elastic (3/4"-10)
17.	Holder-Brush	36.	Plate-Power Pack
18.	Contact-Brake	37.	Power Pack
19.	Holder-Contact-Brake	38.	Screws (Soc. Hd. Cap #10-32 Th'd x 3/8" Lg.)
		39.	Cord-Power
		40.	Plate-Caution
		41.	Plate-Caution

No. 20 Double Reel: Automatic Centering- Wiring Diagram



DEVICE	DESCRIPTION	LITTELL PART NO.	QTY.
TOGGLE SWITCH	"CARLING" CAT. AMP. SPST. 600C 20 AMP	245280	1
FUSE HOLDER	"LITTLEFUSE" NO. 357001	232035	1
FUSE	"BUSS" TYPE MDA 1 AMP 250 VOLT	096684	1
PILOT LIGHT	"MFG-STD" ELEC. (150V) NO. 1050AI-65	245269	1
SELENIUM RECTIFIER	SARKES TARZIAN (115V A.C. to 90 V D.C. 45 AMP) 3T26-5B1-AS	091643	1
CAPACITOR	"SPRAGUE" 6TM-P25 or "CORNELL-DUBI" PKM6P25 (.25MFD 600V. D.C.)	239653	1
RHEOSTAT and KNOB	"OHMITE" (50 WATTS 1000 OHMS) NO. 37399 and NO. 5150	090577	1
TERMINAL STRIP	"CINCH JONES" NO. 8-140 (8 TERMINALS)	229419	1
POWER PACK ENCLOSURE	"HUSSMAN" ENCLOSURE CORP. (8" W x 6" H x 4.50")	090587	1