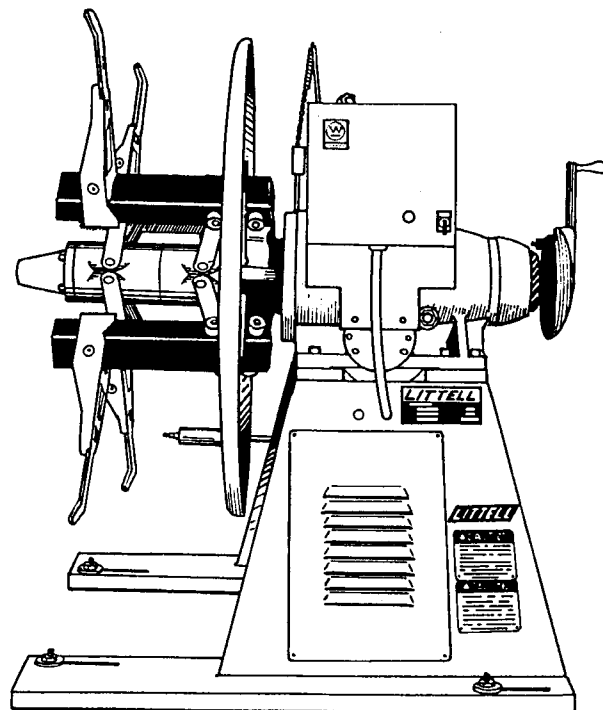
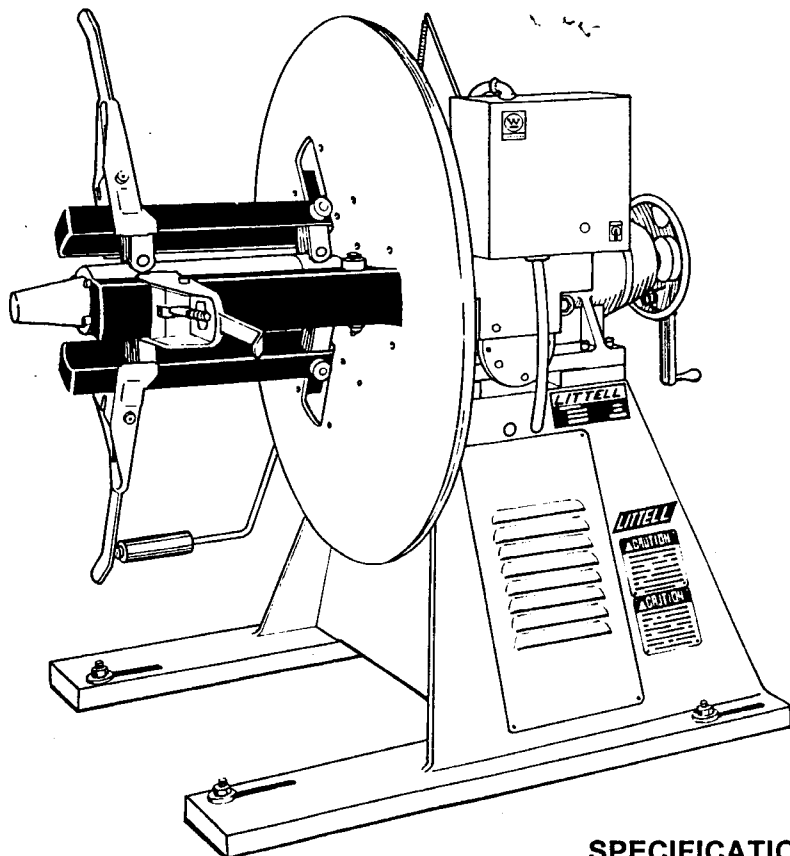


**NUMBER 40 MOTOR DRIVEN  
AUTOMATIC CENTERING REEL**



**SPECIFICATIONS**

<b>SIZE OF REEL</b>	40 - 12	40 - 18	40 - 24	40 - 36
<b>MAX WIDTH</b>	12"	18"	24"	36"
<b>MAX WEIGHT OF COIL</b>	4000 LBS			3000 LBS
<b>4 ARM - COIL INSIDE DIA.</b>	15" - 20" OR 19" - 24"			
<b>3 ARM - COIL INSIDE DIA.</b>	12" - 14"			
<b>MAX OUTSIDE DIA.</b>	60"			

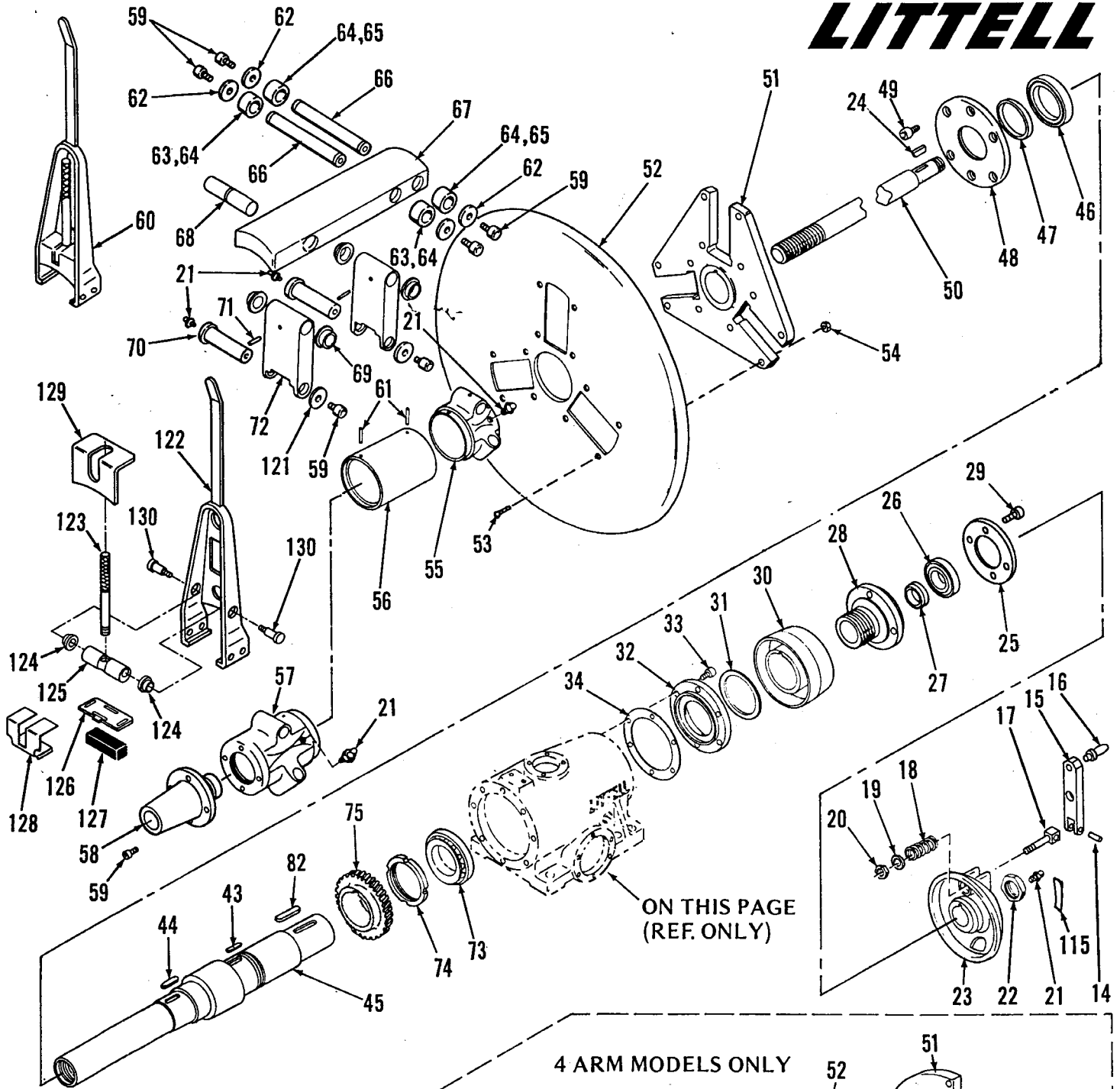
**LITTELL INTERNATIONAL, INC.**

145 SWIFT ROAD, ADDISON, ILLINOIS 60101-1407, U.S.A.  
AREA CODE: (630) 916-6662 LITTELL TELEFAX: (630) 916-6663  
SERVICE DEPARTMENT TELEFAX: (630) 916-6664

**LITTELL** NO. 40 MOTOR DRIVEN AUTOMATIC CENTERING REEL

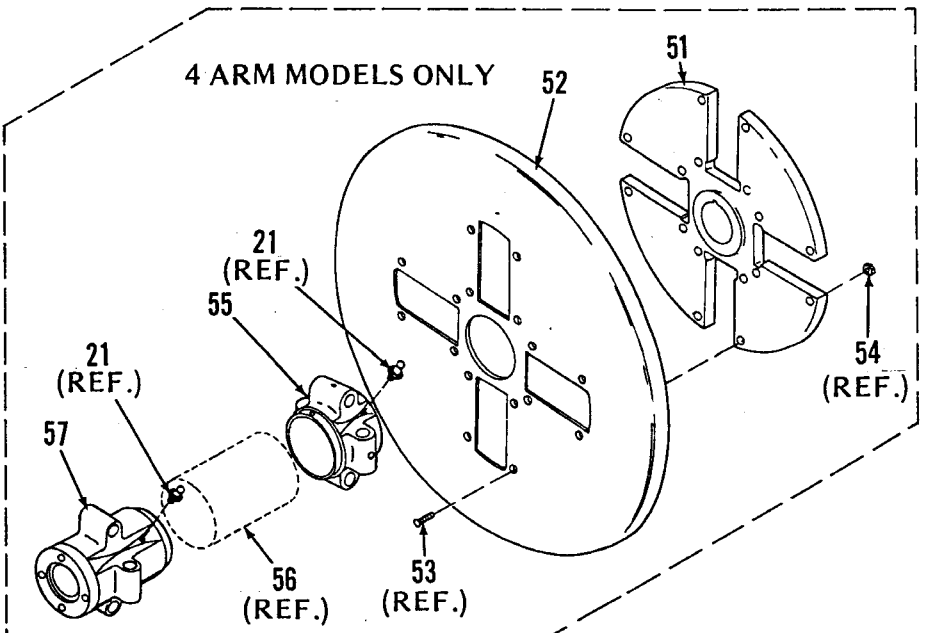
**CONTENTS**

**EXPLODED VIEWS ..... 3 - 4**  
**PARTS LIST ..... 5 - 6**



ON THIS PAGE  
(REF. ONLY)

4 ARM MODELS ONLY

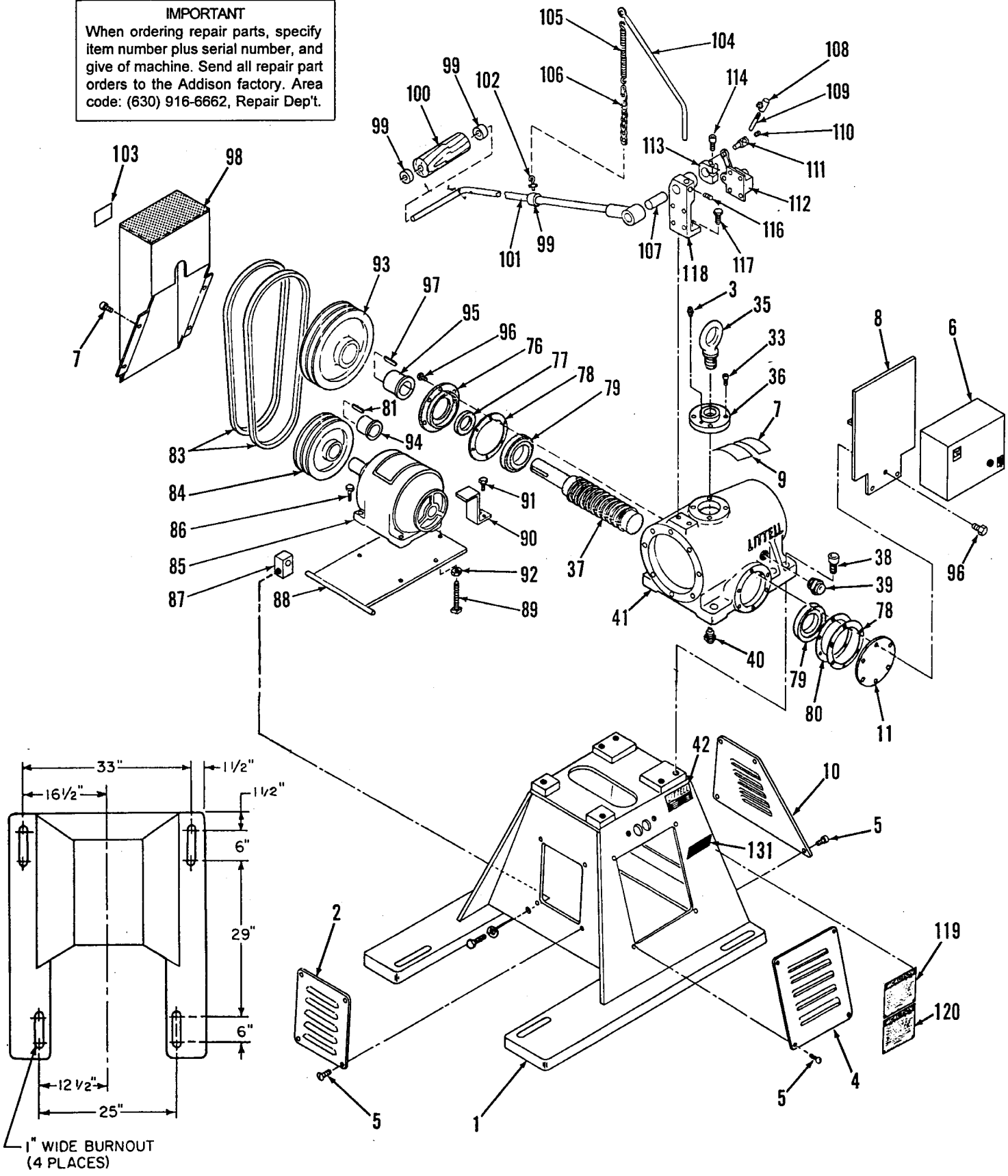


**IMPORTANT**  
When ordering repair parts, specify item number plus serial number, and give of machine. Send all repair part orders to the Addison factory. Area code: (630) 916-6662, Repair Dept.

# LITTELL NO. 40 MOTOR DRIVEN AUTOMATIC CENTERING REEL

**IMPORTANT**

When ordering repair parts, specify item number plus serial number, and give of machine. Send all repair part orders to the Addison factory. Area code: (630) 916-6662, Repair Dep't.



**NO. 40 MOTOR DRIVEN AUTOMATIC CENTERING REEL *LITTELL***

**PARTS LIST**

ITEM NO.	DESCRIPTION	NOTES	ITEM NO.	DESCRIPTION	NOTES
1	Base		47	Seal, Oil	
2	Plate, Cover, Louver		48	Retainer, Bearing, Front	
3	Breather, "SCOVILL" Vent		49	Screw, Cap, Socket Hd. ½-13 x 1" Lg.	
4	Plate, Cover, Louver		50	Screw, Adjusting	***
5	Screw, Machine, Rd. Hd.		51	Hub, Disc, 3 Arm	
6	Magnetic Starter, "WESTINGHOUSE"		52	Plate, Guide, 3 Arm, No. 40 (46 In. Dia.)	
7	Plate, Name, 8 Points Lube Sleeve and Pivot Pins		53	Screw, Machine, Fl. Hd. 3/8-16 x 1¼" Lg.	
8	Bracket, Control Panel		54	Nut, Flex-Lock 3/8-16	
9	Plate, Name, Oil for Worm and Gear Housing		55	Sleeve, Rear, 3 Arm	
10	Plate, Cover, Tapered, Louvered		56	Tube, Spacer	***
11	Plate, Housing Cover		57	Sleeve, Front, 3 Arm	
12	Bolt, Hex. Hd. ½-20 x 1¼" Lg.		58	Nut, Adjusting Screw	
13	Washer, Lock, ½"		59	Screw, Cap, Socket Hd. 3/8-16 x 1" Lg.	
14	Pin, Roll		60	Assembly, Keeper, Adjustable Type	
15	Bar, Handle		61	Pin, Roll	
16	Handle		62	Washer, Roller	
17	Pin, Handle Spring		63	Roller, Arm, Beveled	
18	Spring		64	Bushing	
19	Washer, Flat ½" I.D.		65	Roller, Arm	
20	Nut, Self-Locking		66	Pin, Roller	
21	Fitting, Grease 1/8 NPT		67	Arm, Reel	***
22	Nut, Jam 1-14		68	Pin, Link	
23	Handwheel		69	Bushing, Arm	
24	Key, Woodruff #15		70	Pin, Link, Lower	
25	Plate, Retainer		71	Pin, Roll	
26	Bearing, Ball		72	Link	**
27	Bearing, Thrust		73	Bearing, Roller	
28	Retainer, Bearing Adjust. Screw		74	Nut, Lock	
29	Screw, Cap, Socket Hd. 3/8-16 x 1¼" Lg.		75	Gear, Worm	
30	Spacer		76	Cap, Retaining, Oil Seal	
31	Seal, Oil		77	Seal, Oil	
32	Retainer, Bearing, Rear		78	Gasket	
33	Screw, Cap, Socket Hd. 3/8-16 x 1¼" Lg.		79	Bearing	
34	Shim Set	*	80	Shim	
35	Eyebolt		81	Key 3/16 sq. x 1¼" Lg.	
36	Cover, Gear Retainer		82	Key, Spacer	
37	Shaft, Worm		83	Belt, V-Type	
38	Screw, Cap, Socket Hd. 5/8-11 x 2" Lg.		84	Sheave	
39	Gage, Oil Level		85	Motor, 2 HP, No. 40	
40	Plug, Magnetic		86	Bolt, Hex. Hd. 5/8-11 x 1½" Lg.	
41	Gear Case		87	Bracket, Pivot	
42	Nameplate, Reel and Coil Capacity		88	Platform, Motor	
43	Key, Worm Gear		89	Screw, Sq. Hd. 5/8-11 x 3¼" Lg.	
44	Key, Disc Hub		90	Bracket, Hold Down, Plate	
45	Shaft, Spindle	***	91	Bolt, Hex. Hd. 3/8-16 x ½" Lg.	
46	Bearing, Roller		92	Nut, Jam 5/8-11	
			93	Sheave, Driven	

\* This item is furnished as a set of matched parts  
 \*\* Specify I.D. Required  
 \*\*\* Specify whether for 12", 18", 24" or 36" wide reel

# LITTELL NO. 40 MOTOR DRIVEN AUTOMATIC CENTERING REEL

## PARTS LIST (Cont'd)

ITEM NO.	DESCRIPTION
94	Bushing, Split Taper .875"
95	Bushing, Split Taper 1.500"
96	Screw, Machine, Rd. Hd. 3/8-16 x 1" Lg.
97	Key, Feather Worm Gear
98	Guard, Belt
99	Collar
100	Roller, Wood
101	Arm, Control
102	Eyebolt
103	Plate, Warning
104	Rod, Spring
105	Spring
106	Chain
107	Pin, Control Arm
108	Rod End
109	Link, Switch
110	Setscrew 3/8-24 x 3/8" Lg.
111	Pivot Block
112	Switch, Limit
113	Lever, Switch
114	Screw, Cap, Socket Hd. 1/4-28 x 1 1/4" Lg.
115	Plate, Name, Lube, Handwheel
116	Cap, Oiler
117	Bolt, Hex. Hd. 3/8-16 x 1" Lg.
118	Bracket Switch
119	Plate, Caution Instruction
120	Plate, Caution Safety
121	Spacer, Steel
122	Frame, Keeper
123	Handle, Cam, Keeper
124	Bushing, Flange, Pivot, Keeper
125	Cam, Eccentric
126	Plate, Pressure, Keeper
127	Pad, Rubber
128	Shoe, Clamp, Front Keeper
129	Plate, Cover, Keeper
130	Screw, "DANLY" Shoulder 3/8-16 x .500" Dia. x 1.00" Lg.
131	Plate, Name, "LITTELL"