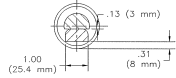
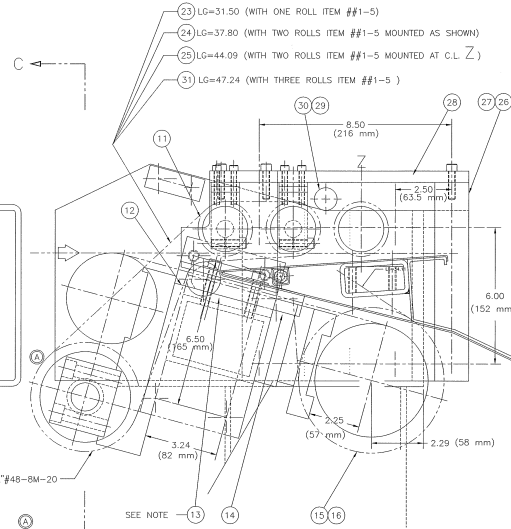
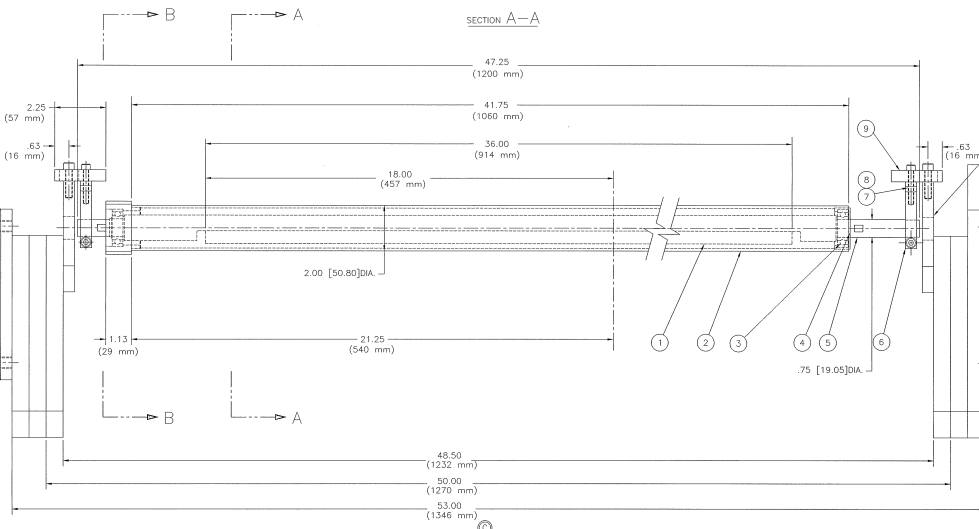


PART D-306050			
DATE	BY	CHKD	APP
10/28/88	A	RODRO	M.S.
10/28/88	B	RODRO	M.S.
10/28/88	C	RODRO	M.S.

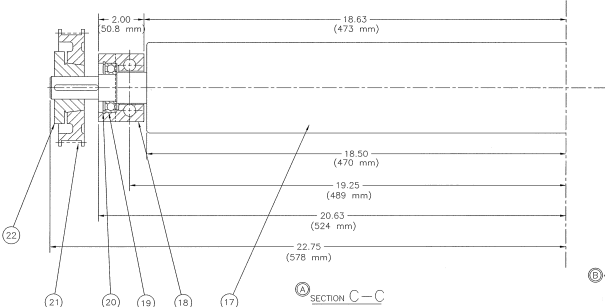
FILE NO. 306050
 REVISION 02



SECTION A-A



SECTION B-B



SECTION C-C

25	1	095073	BELT - "UNIROYAL" HTD #1120-BM-20	
24	1	097653	BELT - "UNIROYAL" HTD #960-BM-20	
23	1	202663	BELT - "UNIROYAL" HTD #600-BM-20	
22	1	215240	BUSHING - "MIR STD" TYPE 00, ST SDS 1" BORE	
21	1	267056	SPROCKET "UNIROYAL" #P48-BM-20	
20	2	095344	RING - RETAINING "WALDES" #N5000-218 (INTERNAL)	
19	2	095343	BEARING - "ND" #Z993L06 (1.1811x2.1654x.5118)	
18	2	308157	BLOCK - SHAFT SUPPORT	B-308157
17	1	308158	ROLL - IDLER - DRIVER	C-308158
16	1	098787	BUSHING - "MIR STD" TYPE 00, ST SDS 1.5" BORE	
15	1	267058	SPROCKET - "UL" #24-BM-20	
14	1	090092	BRG - "MIR STD" TYPE 00, ST SDS 1.5" BORE	
13	1	306094	PLATE - TAPPING	B-262439
12	1	306064	BAR - TENSION	A-306064
11	1	098058	BELT - HTD #980-BM-20	
10	2	307073	PLATE - SUPPORT	B-307073
9	2	307074	PLATE - ADJUSTMENT	B-307074
8	4	307072	SPACER	B-293449
7	4	X-307071	SPACER	B-293449
6	4	X-307070	BLOCK - CLAMP	A-307070
5	2	X-307068	SHAFT - ROLL	B-307068
4	4	X-092438	RING - RETAINING "WALDES" #5100-78	
3	4	X-092443	BRG - "ND" #Z993L04 787 I.D. x 1.653 O.D. x .472WD	
2	2	X-307067	ROLL	B-307067
1	2	X-307069	MAGNET - "BM" #BM4923-36 1"x.56x.36" LG.	

NOTE:
 LOCATE PARTS ITEM #12,13,14 IN ASSEMBLY AND WELD PART ITEM #13 TO SUPPORT-BELT ROLLER (INCLUDED).

DET	QTY	PART No	DESCRIPTION	DWG No
31	1	095059	BELT "UNIROYAL" HTD #1200-BM-20	
30	1	093592	BRG - "MIR STD" TYPE 00, ST SDS 1.25" S	
29	1	308199	BLOCK MTS.	A-308199
28	2	308196	PLATE - ADJUSTMENT	B-308196
27	2	308198	SPACER	B-293449
26	2	308197	BAR SUPPORT	A-308197

PARTS LIST

DET	QTY	PART No	DESCRIPTION	DWG No
25	1	095073	BELT - "UNIROYAL" HTD #1120-BM-20	
24	1	097653	BELT - "UNIROYAL" HTD #960-BM-20	
23	1	202663	BELT - "UNIROYAL" HTD #600-BM-20	
22	1	215240	BUSHING - "MIR STD" TYPE 00, ST SDS 1" BORE	
21	1	267056	SPROCKET "UNIROYAL" #P48-BM-20	
20	2	095344	RING - RETAINING "WALDES" #N5000-218 (INTERNAL)	
19	2	095343	BEARING - "ND" #Z993L06 (1.1811x2.1654x.5118)	
18	2	308157	BLOCK - SHAFT SUPPORT	B-308157
17	1	308158	ROLL - IDLER - DRIVER	C-308158
16	1	098787	BUSHING - "MIR STD" TYPE 00, ST SDS 1.5" BORE	
15	1	267058	SPROCKET - "UL" #24-BM-20	
14	1	090092	BRG - "MIR STD" TYPE 00, ST SDS 1.5" BORE	
13	1	306094	PLATE - TAPPING	B-262439
12	1	306064	BAR - TENSION	A-306064
11	1	098058	BELT - HTD #980-BM-20	
10	2	307073	PLATE - SUPPORT	B-307073
9	2	307074	PLATE - ADJUSTMENT	B-307074
8	4	307072	SPACER	B-293449
7	4	X-307071	SPACER	B-293449
6	4	X-307070	BLOCK - CLAMP	A-307070
5	2	X-307068	SHAFT - ROLL	B-307068
4	4	X-092438	RING - RETAINING "WALDES" #5100-78	
3	4	X-092443	BRG - "ND" #Z993L04 787 I.D. x 1.653 O.D. x .472WD	
2	2	X-307067	ROLL	B-307067
1	2	X-307069	MAGNET - "BM" #BM4923-36 1"x.56x.36" LG.	

PARTS LIST

DATE: 10/28/88
 FILE: 306050
 DRAWN: M.S.
 CHECKED: M.S.
 SCALE: 50:1 (20)

LITTELL
 VERNON INTERNATIONAL GROUP INC.