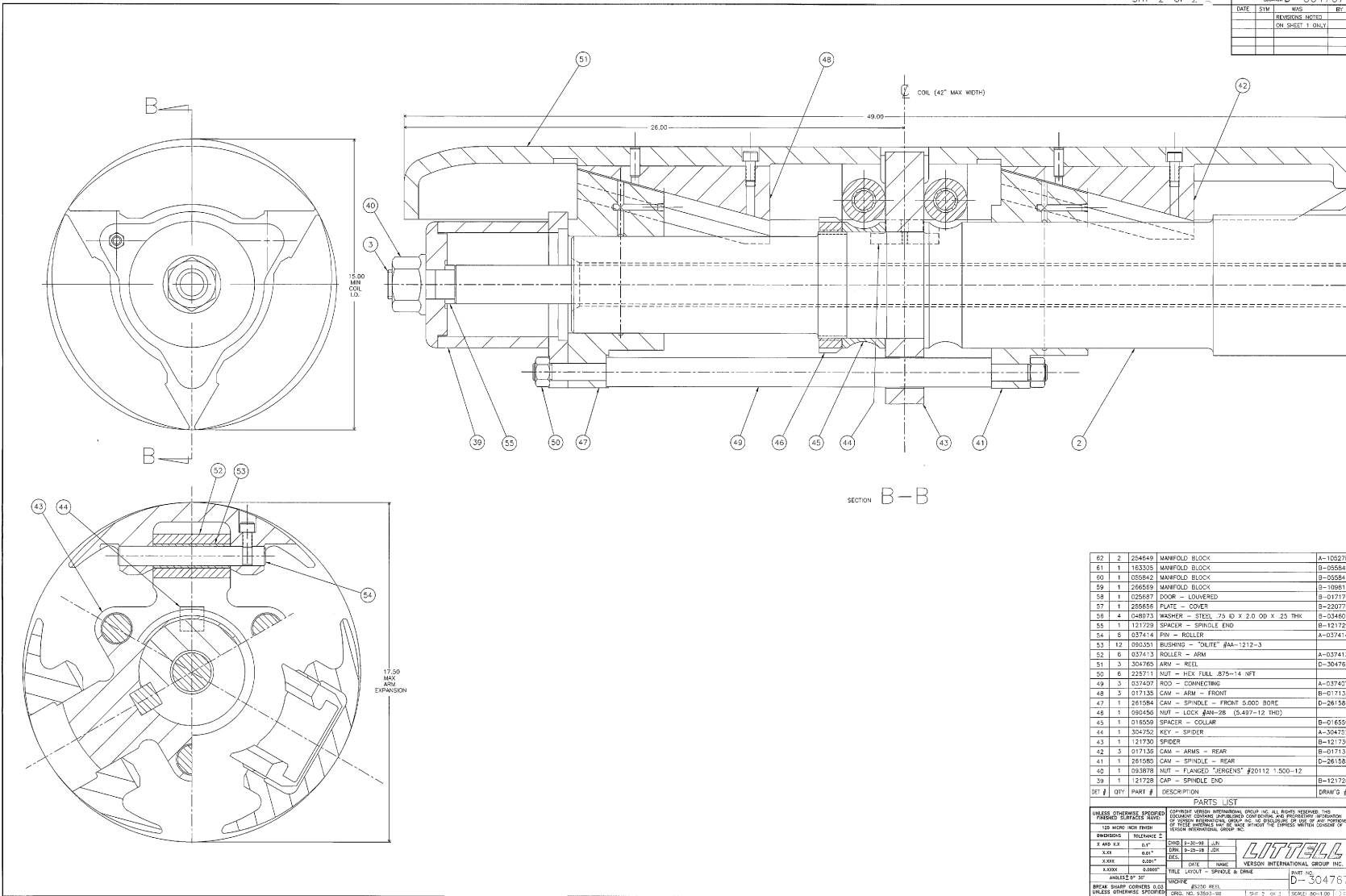


DATE	BY	CHKD	BY



QTY	PART #	DESCRIPTION	DRAWG #	
62	2	254649	MANFOLD BLOCK	A-102728
61	1	163305	MANFOLD BLOCK	B-055842
60	1	055842	MANFOLD BLOCK	B-055842
59	1	266559	MANFOLD BLOCK	B-109813
58	1	025687	DOOR - LOWERED	B-017133
57	1	256654	PLATE - COVER	B-230778
56	4	048973	WASHER - STEEL .75 ID X 2.0 OD X .25 THK	B-034600
55	1	121729	SPACER - SPINDLE END	B-121729
54	6	037414	PIV - ROLLER	A-037414
53	12	050351	BUSHING - "OLITE" #AA-1212-3	
52	6	037413	ROLLER - ARM	A-037413
51	3	304765	ARM - REEL	C-304765
50	6	223711	NUT - HEX FULL B7S-14 NPT	
49	3	037407	ROD - CONNECTING	A-037427
48	3	017135	CAM - ARM - FRONT	B-017135
47	1	261584	CAM - SPINDLE - FRONT 5.000 BORE	D-261584
46	1	050450	NUT - LOCK 5/8X-26 (5.487-12 THD)	
45	1	016550	SPACER - COLLAR	B-016550
44	1	304752	KEY - SPIDER	A-304752
43	1	121730	SPIDER	B-121730
42	3	017135	CAM - ARMS - REAR	B-017135
41	1	261585	CAM - SPINDLE - REAR	D-261585
40	1	093878	NUT - FLANGED "JERGENS" #20112 1.500-12	
39	1	121728	CAP - SPINDLE END	B-121728

UNLESS OTHERWISE SPECIFIED:		DIMENSIONS IN INCHES UNLESS OTHERWISE SPECIFIED:	
FINISH	100% UNLESS OTHERWISE SPECIFIED	ANGLE OF CONE	UNLESS OTHERWISE SPECIFIED
THREADS	AS SHOWN UNLESS OTHERWISE SPECIFIED	ANGLE OF CONE	UNLESS OTHERWISE SPECIFIED
SPINDLES	TOLERANCE ±	ANGLE OF CONE	UNLESS OTHERWISE SPECIFIED
X AND X.X	±.01	ANGLE OF CONE	UNLESS OTHERWISE SPECIFIED
XX	±.005	ANGLE OF CONE	UNLESS OTHERWISE SPECIFIED
XXX	±.002	ANGLE OF CONE	UNLESS OTHERWISE SPECIFIED
XXXX	±.001	ANGLE OF CONE	UNLESS OTHERWISE SPECIFIED
XXXXX	±.0005	ANGLE OF CONE	UNLESS OTHERWISE SPECIFIED
XXXXXX	±.0002	ANGLE OF CONE	UNLESS OTHERWISE SPECIFIED
XXXXXX	±.0001	ANGLE OF CONE	UNLESS OTHERWISE SPECIFIED
XXXXXX	±.00005	ANGLE OF CONE	UNLESS OTHERWISE SPECIFIED
XXXXXX	±.00002	ANGLE OF CONE	UNLESS OTHERWISE SPECIFIED
XXXXXX	±.00001	ANGLE OF CONE	UNLESS OTHERWISE SPECIFIED

PLOTTED: 10/01/88 AT 1457

304767