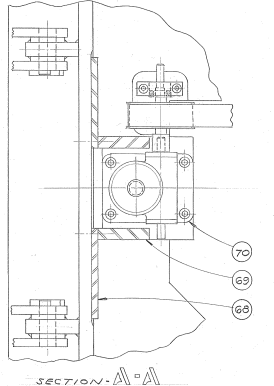
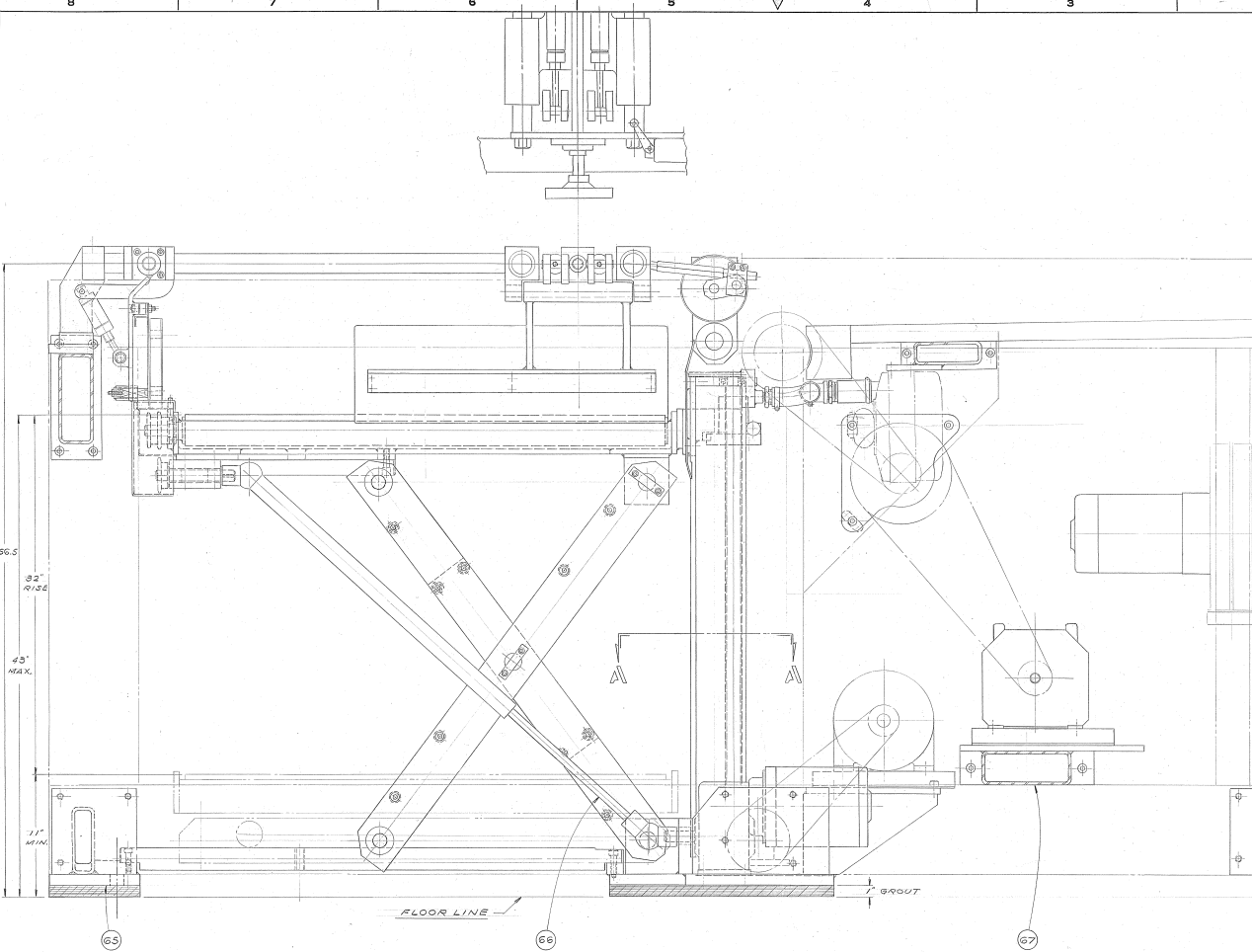


REV	DATE	BY	CHKD	APP
1				
2				
3				



CONTINUED ON SHEET #3

NO.	QTY	DESCRIPTION
70	1	W/21/850 VARI-POWER VARI-STACKER BEARING ASSEMBLY
69	2	PLATE-FRONT-STACK ELEV.
68	2	PLATE-FRONT-STACK ELEV.
67	1	BRACKET-MOTOR-MT.
66	1	COUPLING-UNIVERSAL JOINT
65	1	BEAM-TIE ELEVATOR #4

(CONTINUED FROM SHEET #1)

DESIGNER	DATE	SCALE	PROJECT
DRWING ROOM	NOV 1987	AS SHOWN	D-22/1972
CHECKED	DATE	SCALE	PROJECT
DRWING ROOM	NOV 1987	AS SHOWN	D-22/1972
APPROVED	DATE	SCALE	PROJECT
DRWING ROOM	NOV 1987	AS SHOWN	D-22/1972

88140-85

FLOOR LINE

32" MAX.
 43" MAX.
 11" MIN.