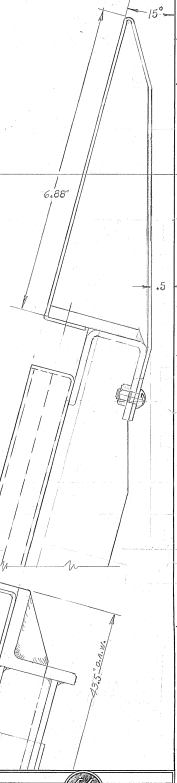
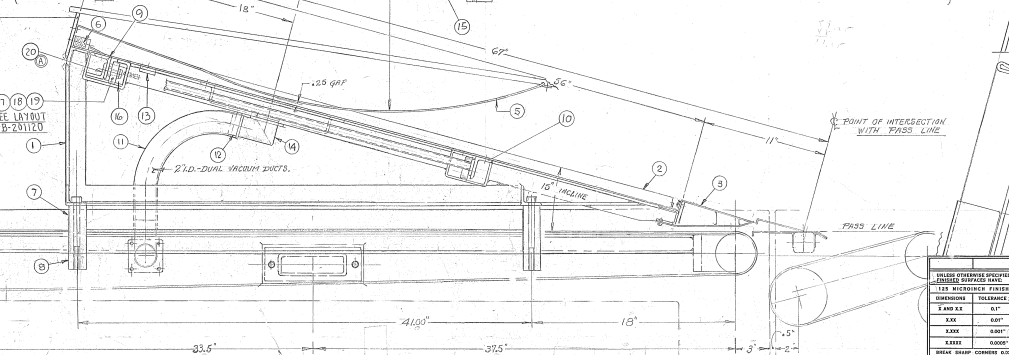
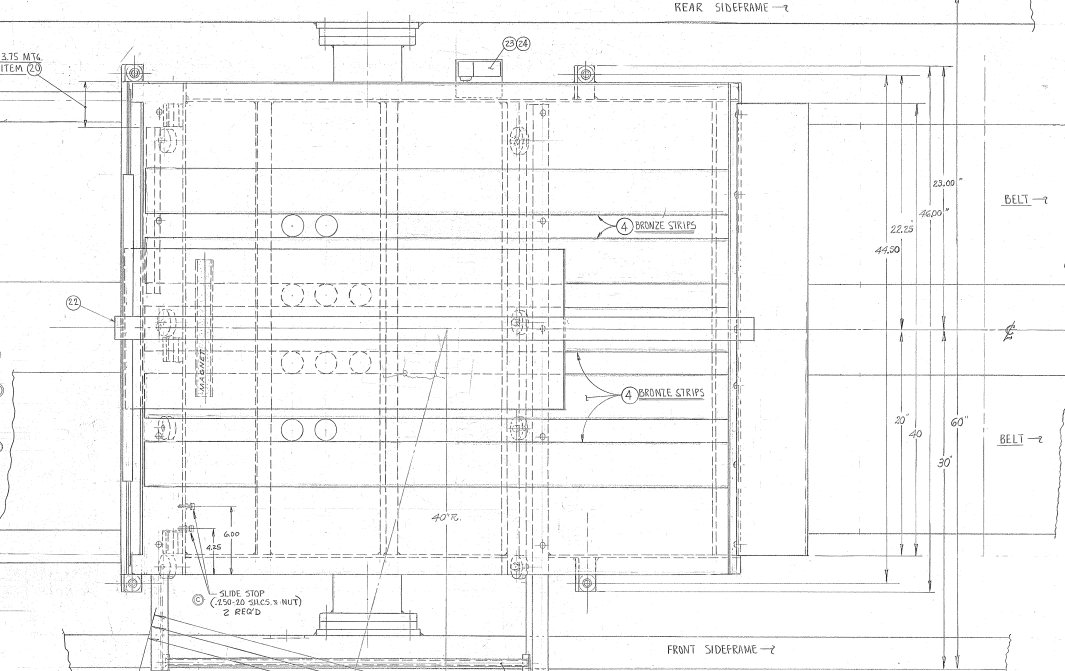
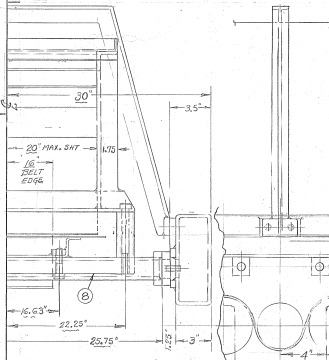


PRT NO.	DESCRIPTION	QTY
24 K-09166	SWITCH "MICROSWITCH" #22B&2KN	1
23 A-201132	PLATE-SWITCH MTG.	1
22 A-242057	BAR-MTG. INSPECTION TRAY	1
21 A-227374	GUIDE-INSPECTION TRAY	1
19 K-090844	SCREW-SHOULDER "DMNLT" #9-0808-5G	8
18 K-023035	WASHER-STRIP "B" 5-08460	16
17 A-069046	ROLLER-NYLON	8
16 A-201121	BLOCK-SLIDER (BRONZE)	8
15 B-201124	HANDLE-SLID	1
14 B-187085	ELBOW-VACUUM	4
13 K-034272	BARRET-ND. MAGNET INC. # MQ-2000-12	1
12 K-034275	CLAMP-1/2" MAGNET CORE 15418H19	4
11 K-094274	MOSE-1/4" DIA. 1/2" DIA. 13062K27 24"L	2
10 Y-201123	ANGLE-ROLLER MTG.-RH. "B" 201122	1
9 B-201122	ANGLE-ROLLER F-SLIDER BLOCK MFG. LHM	2
8 B-135089	BAR-SUPPORT	1
7 A-135088	SPACER-FRAME	4
6 B-135085	SUPPORT-3 SHLEY	1
5 C-135083	DEFLECTOR-3 SHLEY	1
4 B-135086	PLATE-WEAR (BRONZE)	5
3 C-165042	SHOE-DEFLECTOR	1
2 D-201118	TRAY-INSPECTION	1
1 D-201119	FRAME-INSPECTION TRAY	1



REVISED DRAWING

REVISIONS:

1.00 11/20/87

1.01 12/22/87

1.02 12/22/87

1.03 12/22/87

1.04 12/22/87

1.05 12/22/87

1.06 12/22/87

1.07 12/22/87

1.08 12/22/87

1.09 12/22/87

1.10 12/22/87

ITEM # 202170

REV. 1

DATE 11/20/87

BY [Signature]

CHECKED [Signature]

APPROVED [Signature]

TITLE BR STACKER (RNL)

SCALE AS SHOWN

7-C-84

1/2

1/8

1/4

3/8

1/2

3/4

1

1 1/4

2

3

4

6

8

12

18

24

30

36

48

60

72

96

120

144

180

240

300

360

480

600

720

960

1200

1440

1800

2400

3000

3600

4800

6000

7200

9600

12000