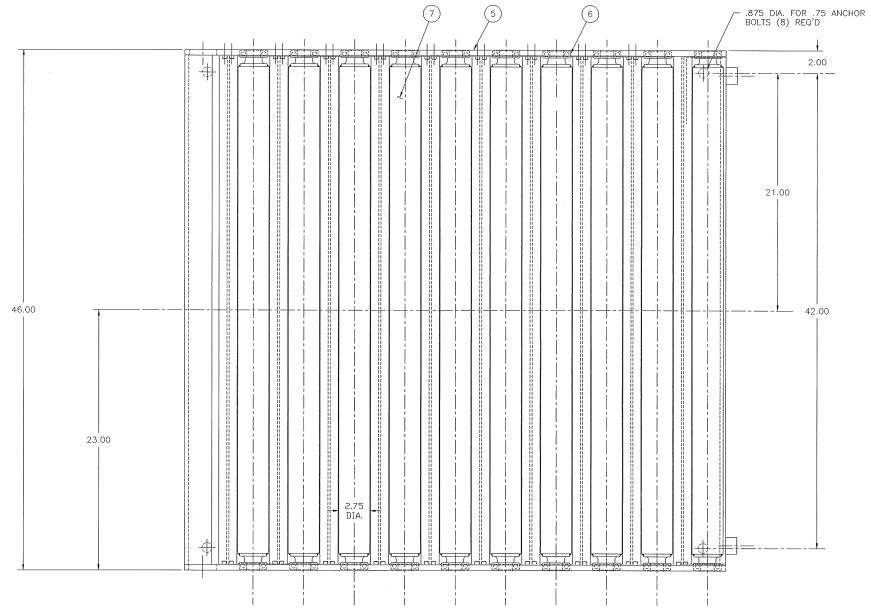
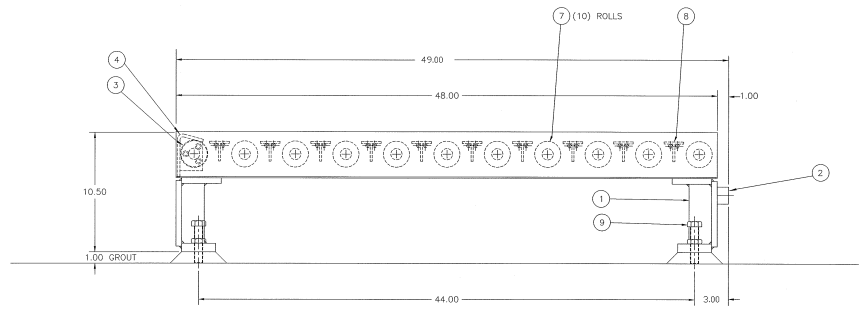


DATE		SHEET		WAS		BY	
20-26-84	1			1-1980		TG	



9	K-006100	SET SCREW .750"-10 X 3.25 LG	4	8
8	B-140039	BAR-TEE #M1020 .18 X 1.75 X 1.75 X 44.88 LG	10	20
7	C-128000	ASSEMBLY-CONVEYOR ROLL	10	20
6	K-093731	BEARING-"N.D." #Z-499506	20	40
5	B-133356	FRAME-SIDE DISCHARGE CONV.	2	4
4	C-128005	BRACKET-CONN. STOP	1	2
3	A-128029	PLUG-CONN. STOP BRACKET	2	4
2	B-242374	SPACER-CONN. TO STACKER 1.00 TH. X-251754	2	4
1	C-133357	BEAM-SUPPORT DISCHARGE CONV.	2	4
ITEM	PART NO.	DESCRIPTION	NO. PARTS	NO. QUANTITY



FOR METRIC THD. SEE D-299979

Copyright 1993 by International Group Inc. All rights reserved. The use of other names, trademarks, registered and unregistered, reproduction or sale of materials may be made without the express written consent of International Group Inc.

DATE: 12/22/77  
 DES: 12/25/77  
 BY: T.J.G.  
 TITLE: LAYOUT - PALLET CONVEYOR - STACKER  
 WORKING: STACKER

SCALE: 25:100

INTERNATIONAL GROUP INC.  
 PART NO. D-131671

CHK. NO. B3249-77 | SHEET 1 OF 1