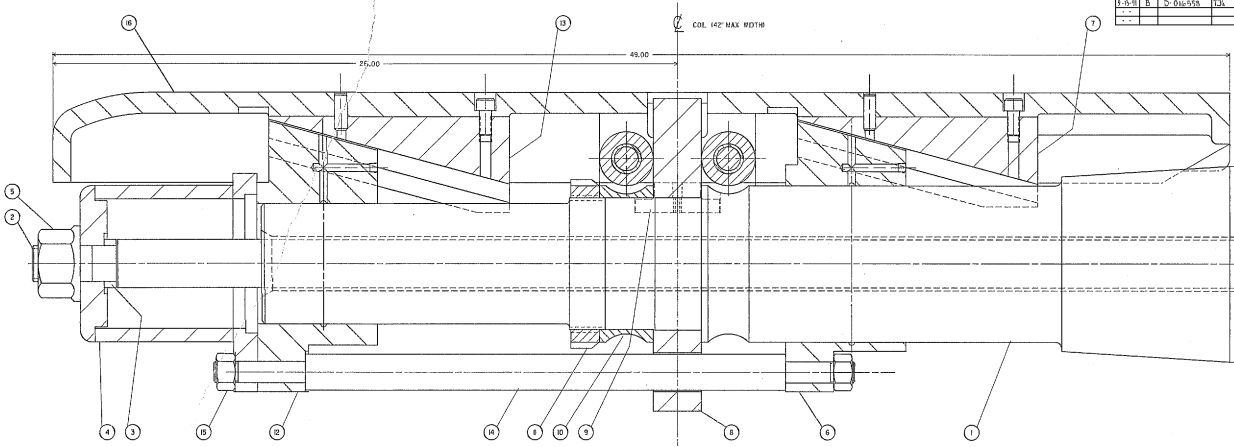
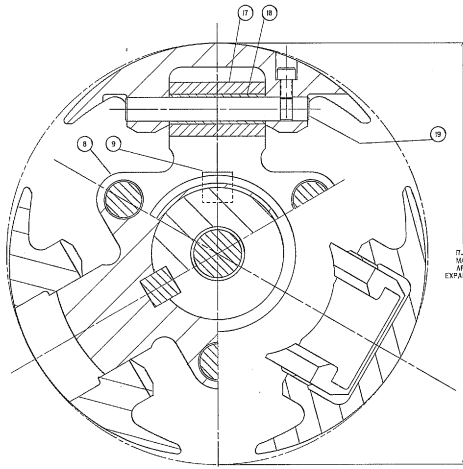


6.00
MAX
COL.
DIA.



SECTION A-A



7.50
MAX
ARM
EXPANSION

COL. BIRTH	REEL	SPINDLE SHAFT PART NO.
30"	SINGLE REEL	025973 ON D-025463
30"	DOUBLE REEL	025971 ON D-025496

NOTE:
1. PART UTILITY FOR ONE SPINDLE ASSY
2. USED FOR 5250-36, 40 & 42 REELS

QTY	NO	PART NO	DESCRIPTION	PARTS LIST	DRAW'G NO
10	6	03144	PIN - ROLLER	A-03144	
10	12	03030	BUSHING - "OLITE" #AA-021-2	A-03143	
10	6	03140	ROLLER - ARM	A-03140	
10	3	02530	ARM - REEL	D-02530	
10	6	22678	NUT - HEX FLAT .875-14 NF		
10	3	031407	ROD - CONNECTING	A-031407	
10	3	07106	CAM - ARM - FRONT	B-07106	
10	1	201534	CAM - SPINDLE - FRONT 5.000 BORE	D-201534	
10	1	05046	NUT - LOCK #AN-28 IS-497-12 TDD		
10	1	06539	SPACER - COLLAR	B-06539	
10	1	10734	KEY - SPIDER	A-10734	
10	1	10250	SPIDER	B-10250	
10	3	07106	CAM - ARM - REAR	B-07106	
10	1	201555	CAM - SPINDLE - REAR 6.500 BORE	D-201555	
10	1	050475	NUT - FLANGED "LETIONS" #2012 1.500-12 NPT		
10	1	10278	CAP - SPINDLE END	B-10278	
10	1	10279	SPACER - SPINDLE END	B-10279	
10	1	10273	ROD - PISTON	B-10273	
10	1	SEE CHART	SHAFT - SPINDLE		

UNLESS OTHERWISE SPECIFIED DIMENSIONS ARE IN INCHES AND DECIMAL EQUIVALENTS THEREOF. DIMENSIONS IN PARENTHESES ARE FOR REFERENCE ONLY. DIMENSIONS IN PARENTHESES ARE FOR REFERENCE ONLY. DIMENSIONS IN PARENTHESES ARE FOR REFERENCE ONLY. DIMENSIONS IN PARENTHESES ARE FOR REFERENCE ONLY.

DATE: 05/29/76
BY: J. J. J. J. J.
CHECKED: J. J. J. J. J.
TITLE: LEVITON - SPINDLE
PART NO. D-121775
SCALE: 3P-100 1/8