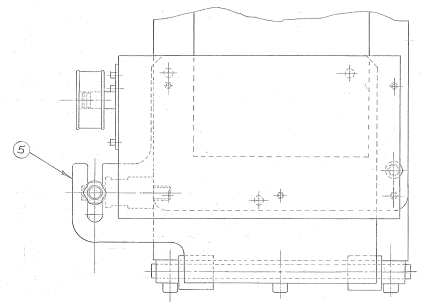
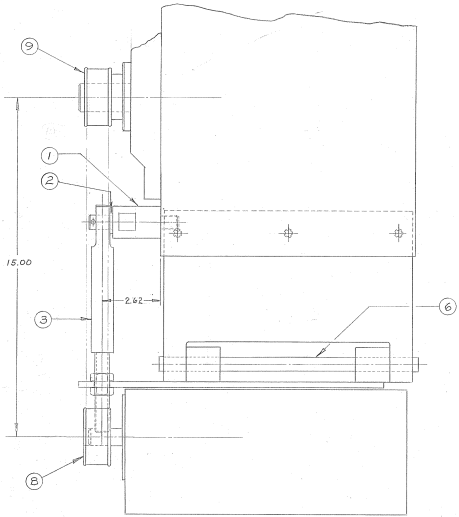
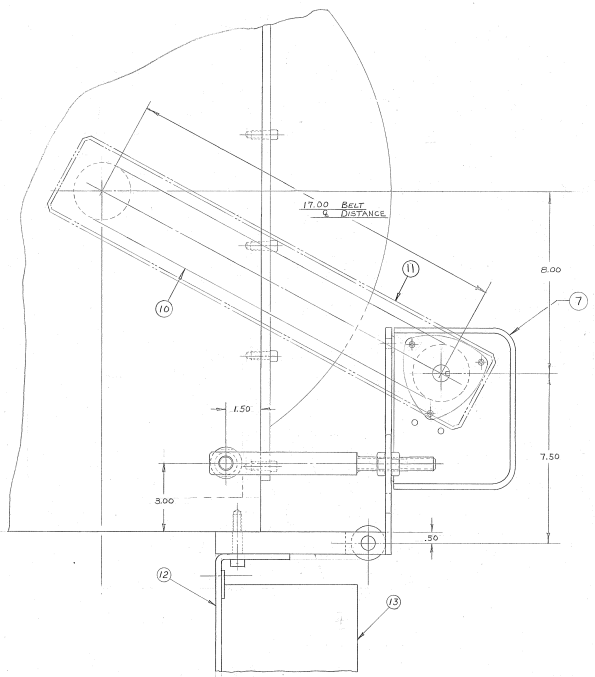


ITEM NO.	PART No.	DESCRIPTION	AMOUNT
1	X-13514B	PIN - ANCHOR (A-131592)	1
2	X-024179	WASHER - STL. #2 H100.12 (B-024600)	1
3	B-135149	SHAFT - ANCHOR PIN	1
4	B-135107	BRACKET - DRUM SWITCH MTO.	1
5	C-135165	PLATE - DRUM SWITCH MTO.	1
6	X-023974	SHAFT - .625 DIA. - 11.50 LB. (B-031600)	1
7	000000	SWITCH - CHRYSLER-BODLEY #208 F-5	1
8	000000	PULLEY - "BROWNING" #21LB00 749/150 BORE	1
9	000000	PULLEY - "BROWNING" #21LB00 135/139 BORE	1
10	000000	GEARSET - "BROWNING" #32LB00-387-42.00 B.	1
11	B-139158	GUARD - DRUMSWITCH BELT	1
12	B-143329	BRKT. - JUNCTION BOX MTO.	2
13	K094480	BOX - NORMAN JUNCTION #1000CH 10" X 10" X 6" DR.	1

90297



DATE	BY	CHK	MR.
2-17-71	A	14-3	ADSP

APR 1970

FORM NO.	REVISION
1	D-135164

INDICATE OVERSIZE SPINDLE	DR. FILE	1/4" = 1"
INDICATE DIFFERENT PARTS	SEE CHART	HALF
INDICATE TOLERANCE	1/32"	1/16"
SCALE	1/8" = 1"	1/16"
DATE	8-20-77	
SCALE GROUP NUMBER	83000-77	
SCALE STANDARD	ANSI	

LAYOUT - DRUM SWITCH MTO.  
BR-5 PRESS.

135164