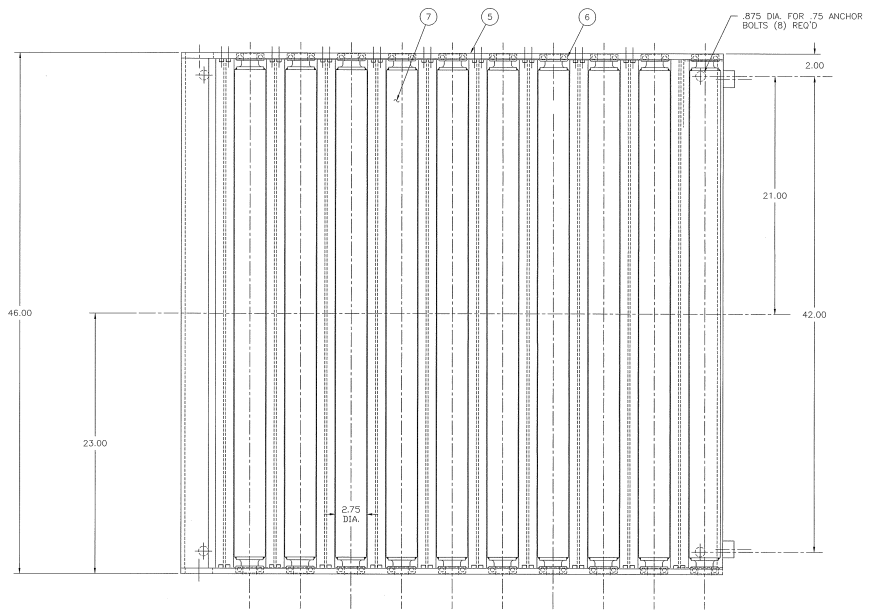
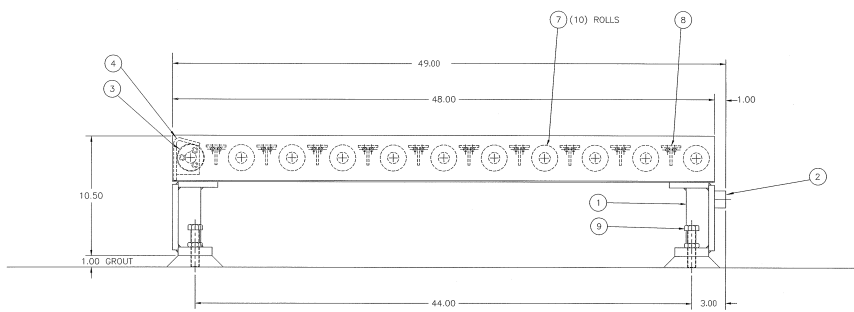


D-131671			
DATE	SIM	WKS	BY
01-28-84	A	1-1989	TC



9	K-006100	SET SCREW .750"-10 X 3.25 LG	4	8
8	B-140039	BAR-TEE #M1000 .1B X 1.75 X 1.75 X 44.88 LG	10	20
7	C-128000	ASSEMBLY-CONVEYOR ROLL	10	20
6	K-093731	BEARING-"N D." #Z-499506	20	40
5	B-133356	FRAME-SIDE DISCHARGE CONV.	2	4
4	C-128005	BRACKET-CONV. STOP	1	2
3	A-128029	PLUG-CONV. STOP BRACKET	2	4
2	B-240274 X-251724	SPACER-CONV. TO STACKER 1.00 TR.	2	4
1	C-133357	BEAM-SUPPORT DISCHARGE CONV.	2	4
ITEM PART NO.			NO TOTAL	REQ'D



FOR METRIC THD. SEE D-299979

Copyright 1992a International Group, Inc. All Rights Reserved. This drawing contains information confidential and proprietary to International Group, Inc. No reproduction or use of any portion of this drawing may be made without the express written consent of International Group, Inc.

CHG	12/22/77	LU	
CHG	12/20/77	DCR	
DES			
DATE	NAME	VERSION	INTERNATIONAL GROUP INC.
FILE	PROJECT	CONVEYOR - BEAR	PART NO.
WDRS	STACKER		D-131671
DRG NO.	B3249-27	SHT	1 OF 1
SCALE	25:1		

**LITTELL**