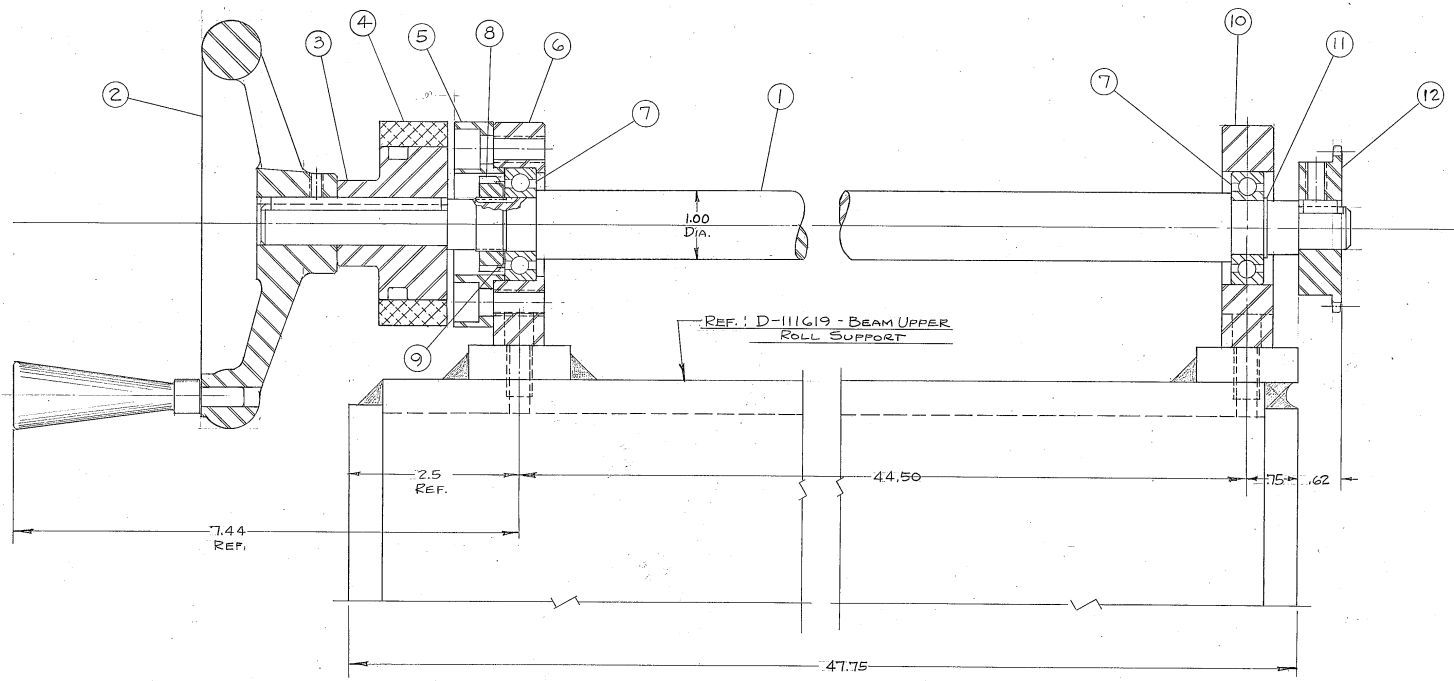


ITEM No.	PART No.	DESCRIPTION	DWG. No.	No. Rep.
1	C-110271	SHAFT - HANDWHEEL		1
2	K-094238	HANDWHEEL - "BALCRANK" 5" DIA. #H154504		1
3	B-077356	HUB - DIAL INDICATOR		1
4	B-117317	DIAL - INDICATOR		1
5	A-116096	RETAINER - BRG.		1
6	B-110272	BLOCK - PILLOW		1
7	092443	BRG. - BALL "N.D." #Z993 L04 - 7874 I.D.		2
8	093111	NUT - BRG. "MFGRS. STD." #N-04		1
9	093121	WASHER - LOCK "MFGRS. STD." #W-04		1
10	B-110275	BLOCK - PILLOW		1
11	000000	RING - RET. "WALDES" TEWARS #5100-78		1
12	000000	SPROCKET "BOSTON GEAR" #25B2B-1/4" PITCH .625 BORE .155 x .093 KEY .331 x .6 5-5		1

REVISIONS			
DATE	BY	WAR	BY
3/12/62	Z	K-092472	25/TK



UNLESS OTHERWISE SPECIFIED FINISHED SURFACES HAVE: 125 MICROINCH FINISH		DATE: 11-5-76	
DIMENSIONS TOLERANCE ±		DRAWN BY: FULL	
X AND XX	0.1"	CHECKED BY: KROL	
XXX	0.01"	DATE: 9/3	
XXXX	0.001"	TITLE: LAYOUT - STOCKGUIDE HANDWHEEL SHAFT	
XXXXX	0.0005"	MATERIAL: LM-1 SHEAR	
BREAK SHARP CORNERS 0.03 UNLESS OTHERWISE SPECIFIED		ORIGINAL ORDER NUMBER: 82730-76	DWG. NO.: C-110274