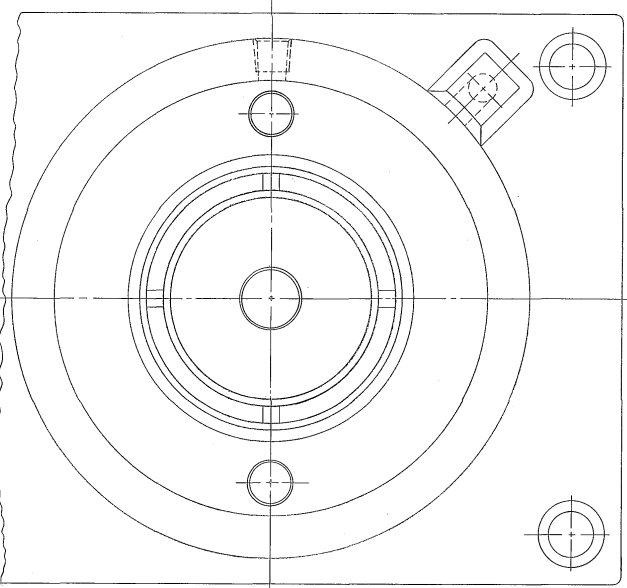
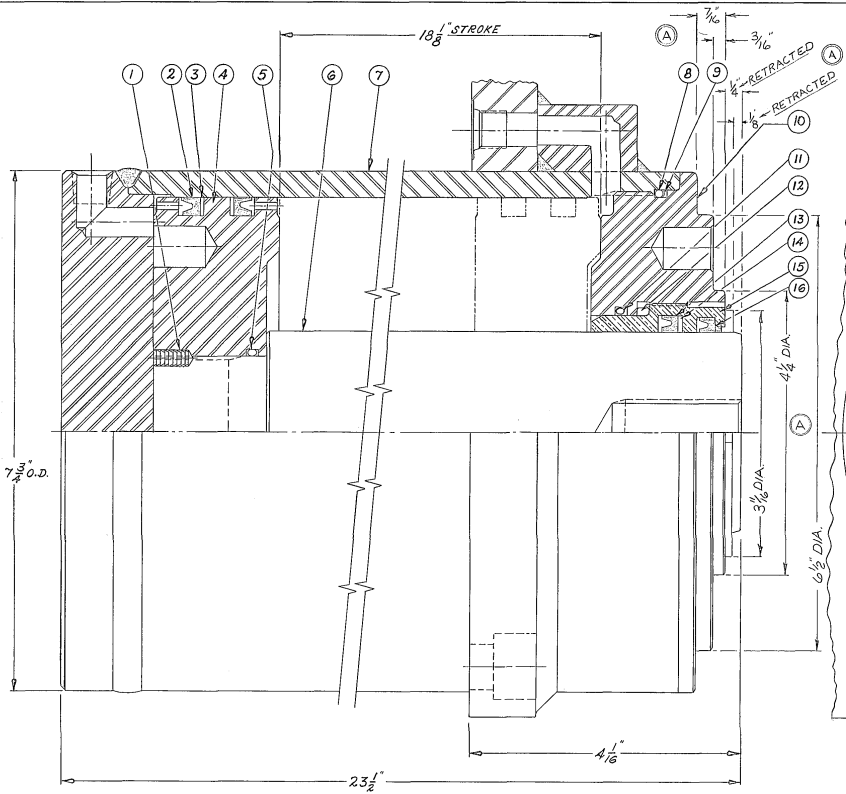


REVISIONS			
DATE	BY	WAR	BY
1-27-78	A	Added Dim.	LB
9-20-84	E	Added LITTELL #	7728



ITEM No.	PART No.	DESCRIPTION	No. REQ'D.
# 1	8140	LOCKPIN	1
# 2	14207	LIPSEAL - PISTON (205134)	2
# 3	47848-A3	BACK-UP WASHER (210849)	2
# 4	53760	PISTON	1
# 5	10404-0832	O' RING (210851)	1
# 6	53759	PISTON ROD	1
# 7	36470	CYLINDER BODY ASSEMBLY	1
# 8	10404-0716	O' RING (205135)	1
# 9	77391-0262	BACK-UP WASHER (210852)	1
# 10	53761	ROD END HEAD	1
# 11	10404-0348	O' RING (205136)	1

ITEM No.	PART No.	DESCRIPTION	LITTELL #	No. REQ.
# 12	78665	GLAND SPACER	092847	1
# 13	49009-0300	LIPSEAL - GLAND	092848	1
# 14	71254-0300	BACK-UP WASHER	092850	1
# 15	68398	GLAND	092846	1
# 16	47000-0300	WIPERSEAL	092849	1

OPERATING PRESSURE 1000 P.S.I. MAX.  
 TEST PRESSURE 1500 P.S.I.

I.B.M. # 92051

THIS DRAWING REPRODUCED THROUGH  
 THE COURTESY OF "HANNIFIN CORP."

MILITARY AIRCRAFT  
 FULLY INSPECTED  
 BY M.C.T.

TITLE: PARTS LIST - LIFT CYLINDER  
 MACHINE: # 250 COIL CAR.  
 ORIGINAL ORDER NUMBER: 71800-63  
 DIV. C  
 51774

(B) \* RECOMMENDED SPARE PARTS